

BB02-CL :- 1.27mm X 1.27mm (0.05" X 0.05") SMD SOCKET, DUAL ROW, STRAIGHT, 6 to 100 CONTACTS, DUAL ENTRY

SPECIFICATIONS

CURRENT RATING	1 AMP
INSULATOR RESISTANCE	1000 MEGOHMS MIN.
CONTACTS RESISTANCE	20m OHMS MAX.
DIELECTRIC WITHSTANDING	AC 300 V
OPERATING TEMPERATURE	-40°C TO +105°C
CONTACT MATERIAL	PHOSPHOR BRONZE
INSULATOR MATERIAL	THERMOPLASTIC, UL 94V-0
	STANDARD: LCP Δ

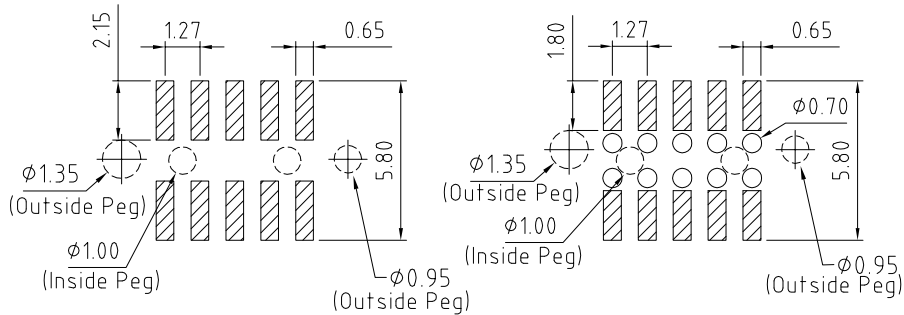
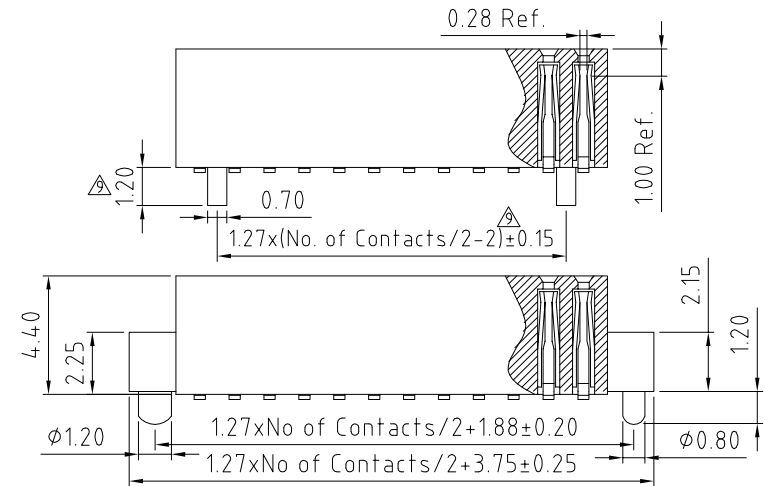
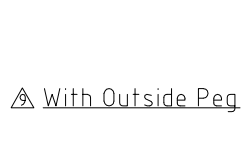
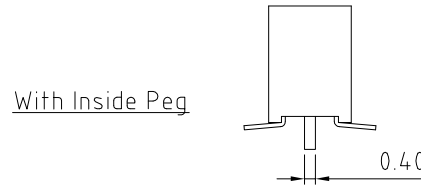
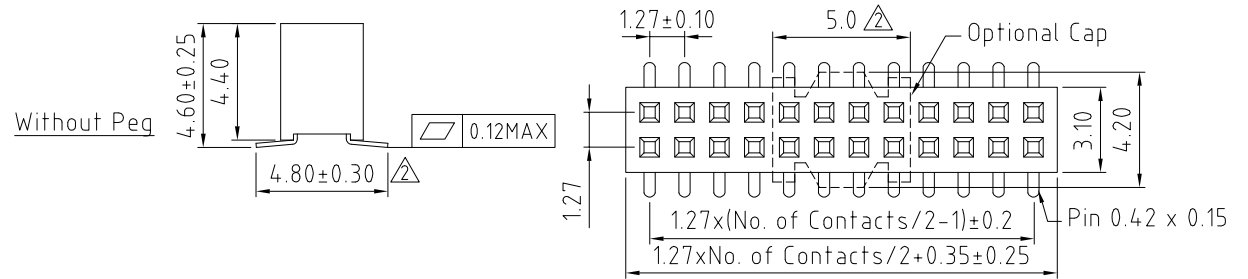
PLATING GOLD, TIN, OR SELECTIVE OVER 30-50U" NICKEL

SOLDERABILITY: IR REFLOW: 280°C FOR 10 SEC
 MANUAL SOLDER: 380°C FOR 3-5 SEC

MATES WITH:-

BB02-BC	BB02-BS	BB02-7B
BB02-BD	BB02-BY	
BB02-BE	BB02-BZ	
BB02-BK	BB02-NE	
BB02-BP	BB02-NN	

RECOMMENDED MATING PIN LENGTH FROM TOP ENTRY IS 4.0MM Δ



FOR TOP ENTRY

Δ FOR BOTTOM ENTRY

RECOMMENDED PC BOARD LAYOUT
 (TOLERANCE: ±0.05)



NO. OF CONTACTS:
 06 TO 98
 00 = 100

CONTACT PLATING OPTIONS:
 K = GOLD FLASH (STANDARD)
 A = 10U" GOLD ON CONTACT/GOLD FLASH ON TAIL
 B = 15U" GOLD ON CONTACT/GOLD FLASH ON TAIL
 C = 30U" GOLD ON CONTACT/GOLD FLASH ON TAIL
 T = BRIGHT TIN
 M = MATT TIN
 D = GOLD FLASH ON CONTACT/BRIGHT TIN ON TAIL

PACKAGING OPTIONS:
 3 = TUBE
 4 = TUBE + FILM
 5 = TUBE + CAP
 6 = TAPE & REEL
 7 = TAPE & REEL+FILM
 8 = TAPE & REEL+CAP

Δ LOCATING PEG OPTIONS:
 A = WITH INSIDE PEG
 Δ B = WITH OUTSIDE PEG
 0 = WITHOUT PEG

REV. DATE & DRN	10 25/05/05 - NTW RELEASE
11 22/08/05 - NYW DRAWING MODIFICATION	
12 08/03/06 - NYW ADD CAP & FILM DRAWING	
13 20/07/06 - NYW DRAWING MODIFICATION	
14 13/02/07 - CHC CHANGE MATING PIN LENGTH	
15 27/03/07 - NYW ADD LOCATING PEG OPTION	
16 10/02/07 - CHC REMOVE SELECTIVE GOLD CONTACT PLATING	
17 21/05/08 - CHC PLATING MODIFICATION	
18 10/07/08 - NYW CHANGE INSULATOR TO LCP	
19 30/10/14 - NYW ADD PEG LENGTH & FORMULA	
20 22/06/21 - NYW AHEAD MIN. PNH TO 6	

Scale:	5:1
Drawn:	CHC
App'd:	XXXX
Date:	22 JUN. '21

THIRD ANGLE	
Title	SOCKET
Revision:	2.0

Unstated Tolerances:	
X:	± 0.30
.X:	± 0.25
.XX:	± 0.15
.XXX:	± 0.10

Material	SEE NOTE
	NOT TO SCALE
UNIT:	mm

www.gradconn.com

THIS DRAWING IS CONFIDENTIAL AND MUST NOT BE COPIED OR DISCLOSED WITHOUT WRITTEN CONSENT

Type:	BB02-CL
DRAWING NUMBER:	BB02-CL
Sheet	1 of 1
Drawing	© E and OE