

BB02-CP :- 1.27mm (0.05") STRAIGHT SMD FEMALE HEADER, SINGLE ROW - 2 TO 40 CONTACTS, DUAL ENTRY

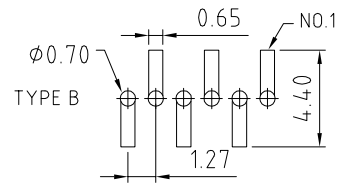
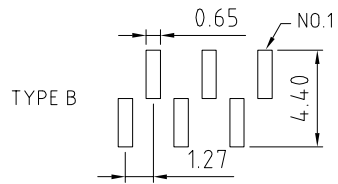
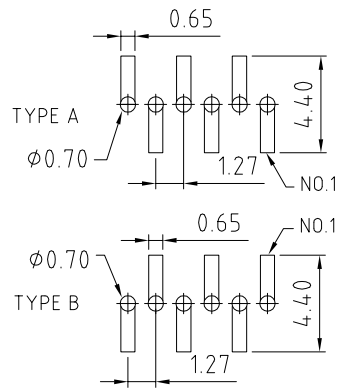
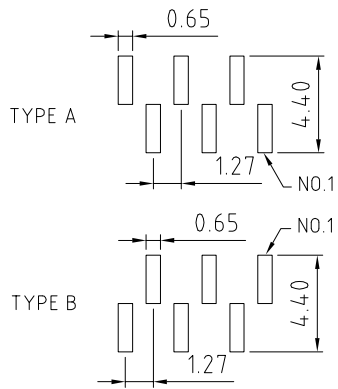
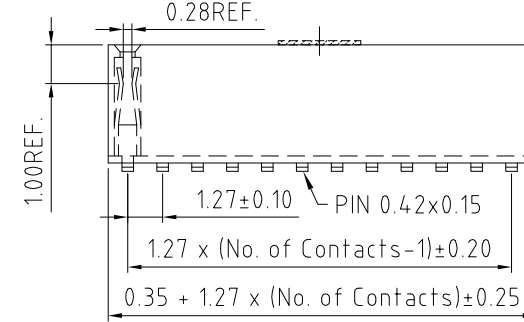
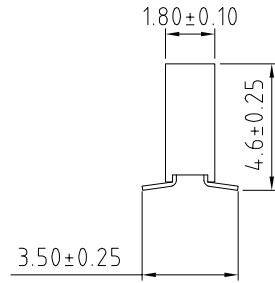
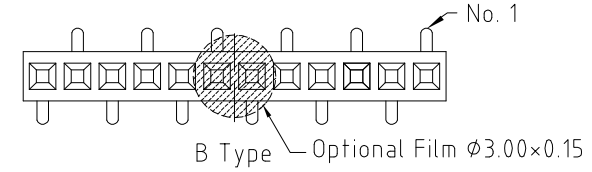
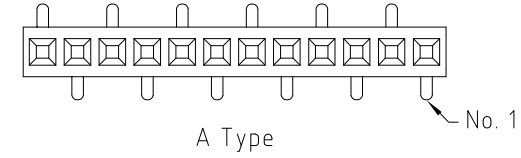
SPECIFICATIONS

CURRENT RATING	1 AMP
INSULATOR RESISTANCE	1000 MEGOHMS MIN.
DIELECTRIC WITHSTANDING	300 V AC/DC
CONTACT RESISTANCE	20m OHMS MAX.
OPERATING TEMPERATURE	-40°C TO +105°C
CONTACT MATERIAL	PHOSPHOR BRONZE
INSULATOR MATERIAL	THERMOPLASTIC, UL 94V-0
	STANDARD: LCP + 30% G/F
PLATING	GOLD, TIN OR SELECTIVE OVER 30~50U" NICKEL
SOLDERABILITY	IR REFLOW: 260°C FOR 5-15 SEC
	MANUAL SOLDER: 350°C FOR 1-3 SEC

NOTES:

1. RECOMMENDED MATING PIN LENGTH FOR TOP ENTRY: 3.5MM. Δ
2. PARTS WITH SMALL NUMBER OF CONTACTS MAY BE PACKED IN BOX INSTEAD OF TUBE.

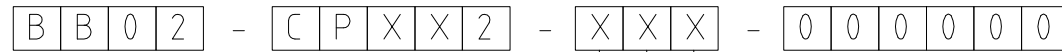
MATES WITH: - (0.40 SQUARE PINS)
 BB02-NA BB02-NS
 BB02-NB BB02-5B
 BB02-NC



RECOMMENDED PCB LAYOUT FOR TOP ENTRY (TOLERANCE: \pm 0.05)

RECOMMENDED PCB LAYOUT FOR BOTTOM ENTRY (TOLERANCE: \pm 0.05)

HOW TO ORDER



NO. OF CONTACTS:
02 TO 40

CONTACT PLATING OPTIONS:
 K = GOLD FLASH (STANDARD)
 A = 10U" GOLD ON CONTACT/GOLD FLASH ON TAIL
 B = 15U" GOLD ON CONTACT/GOLD FLASH ON TAIL
 C = 30U" GOLD ON CONTACT/GOLD FLASH ON TAIL
 T = BRIGHT TIN
 M = MATT TIN
 D = GOLD FLASH ON CONTACT/BRIGHT TIN ON TAIL

FOOTPRINT TYPE:
 A = A TYPE
 B = B TYPE

PACKAGING OPTIONS: Δ
 3 = TUBE
 4 = TUBE + FILM
 6 = TAPE & REEL
 7 = TAPE & REEL + FILM
 (See Note 2.)

REV.	DATE & DRN.
11	09/07/05 - NYW RELEASE
12	17/07/06 - NYW
13	17/07/06 - NYW
14	20/07/06 - NYW
15	20/07/06 - NYW
16	20/07/06 - NYW
17	20/07/06 - NYW
18	20/07/06 - NYW
19	20/07/06 - NYW
20	20/07/06 - NYW
21	20/07/06 - NYW
22	25/07/19 - NYW

1	ADD BOTTOM ENTRY LAYOUT.
2	REMOVE PLATING OPTION E.
3	ADD MATING PART.
4	CHANGE INSULATOR TO LCP.
5	REMOVE PLATING OPTIONS E-G.
6	ADD NOTE 2.
7	AMEND PROFILE AND FOOTPRINT TOLERANCE.
8	AMEND FILM TYPE.
9	AMEND SOLDERABILITY TEMP.

Scale:	5:1
Drawn:	CHC
App'd:	XXXX
Date:	25 JUL '19

THIRD ANGLE	
Title	SOCKET
Revision:	2.2

Unstated Tolerances:	X: \pm 0.30
	X: \pm 0.25
	XX: \pm 0.15
	XXX: \pm 0.10

Material	SEE NOTE
	NOT TO SCALE
UNIT:	mm

www.gradconn.com

Type:	BB02-CP
Drawing Number:	BB02-CP
Sheet	1 of 1
Drawing	© E and OE