

BB02-KH:- 2.54mm X 2.54mm (0.1" X 0.1") SOCKET, DUAL ROW, STRAIGHT, THROUGH HOLE - 04 TO 80 CONTACTS

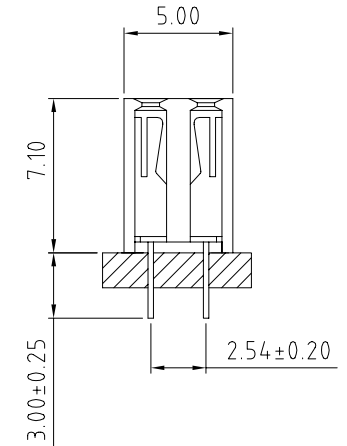
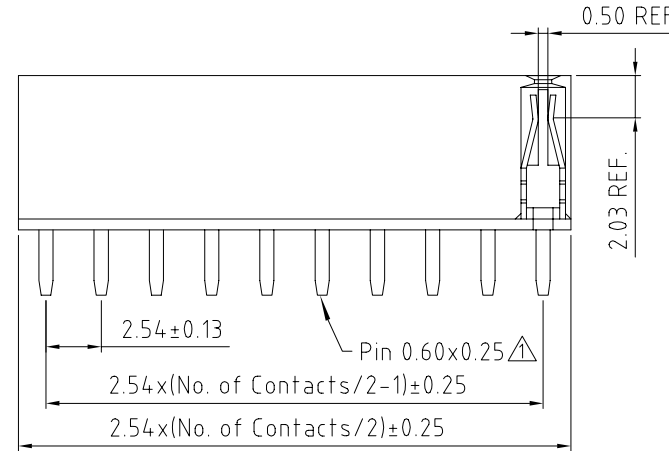
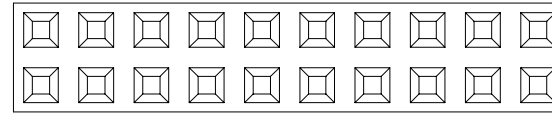
SPECIFICATIONS

CURRENT RATING 3 AMPS
 INSULATOR RESISTANCE 1000 MEGOHMS MIN.
 CONTACT RESISTANCE 20 M OHMS MAX
 DIELECTRIC WITHSTANDING AC 600 V
 OPERATING TEMPERATURE -40°C TO +105°C
 CONTACT MATERIAL PHOSPHOR BRONZE
 INSULATOR MATERIAL POLYESTER UL 94V-0
 NYLON 6T : STANDARD
 PBT : SPECIAL OPTION
 PLATING GOLD, TIN OR SELECTIVE OVER 30-50U" NICKEL
 SOLDERABILITY: NYLON 6T - IR REFLOW: 260°C FOR 10 SEC
 WAVE: 230°C FOR 5-10 SEC
 MANUAL SOLDER: 350°C FOR 3-5 SEC
 PBT - MANNUAL SOLDER: 330°C FOR 3-5 SEC
 (NOT SUITABLE FOR HI-TEMP PROCESS)

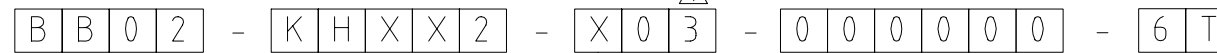
NOTES:

1. PACKED IN TUBES
2. RECOMMANED MATING PIN LENGTH: 6.0MM Δ

MATES WITH: BB02-HE BB02-HR BB02-TH
 BB02-HF BB02-HU
 BB02-HJ BB02-TD
 BB02-HP BB02-TF
 BB02-HQ BB02-TG



HOW TO ORDER

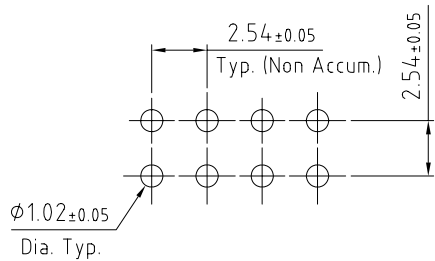


Δ NO. OF CONTACTS
 Δ 04 TO 80

CONTACT PLATING OPTIONS

- K = GOLD FLASH (STANDARD)
- A = 10U" GOLD ON CONTACT/GOLD FLASH ON TAIL
- B = 15U" GOLD ON CONTACT/GOLD FLASH ON TAIL
- C = 30U" GOLD ON CONTACT/GOLD FLASH ON TAIL
- T = BRIGHT TIN
- M = MATT TIN
- D = GOLD FLASH ON CONTACT/BRIGHT TIN ON TAIL
- E = 10U" GOLD ON CONTACT/BRIGHT TIN ON TAIL
- F = 15U" GOLD ON CONTACT/BRIGHT TIN ON TAIL
- G = 30U" GOLD ON CONTACT/BRIGHT TIN ON TAIL

INSULATOR MATERIAL Δ
 6T = NYLON 6T (STANDARD)
 BLANK = PBT (Not suitable for new designs.)



RECOMMENDED PC BOARD HOLE LAYOUT

REV.	DATE & DRN
10	12/08/02 - AMCI RELEASE
11	25/08/05 - NYW
Δ	AMEND PLASTIC MATERIAL.
	AMEND PACKAGING CODE.
	AMEND NO. OF CONTACTS.
	AMEND PIN DIAMETER.
12	15/08/06 - CHC
Δ	ADD PLASTIC OPTION.
13	29/05/07 - CHC
	DRAWING MODIFICATION.
14	28/05/08 - PN
Δ	ADD MATT TIN PLATING.
15	13/02/09 - NYW
	DRAWING MODIFICATION.

Scale: 4:1	THIRD ANGLE	Unstated Tolerances: X ± 0.30 X ± 0.25 XX ± 0.15 .XXX ± 0.10	Material SEE NOTE
Drawn: CHC			
App'd: XXXX	Title SOCKET		NOT TO SCALE
Date: 13 FEB '09	Revision: 1.5		Unit: mm

www.gradconn.com

THIS DRAWING IS CONFIDENTIAL AND MUST NOT BE COPIED OR DISCLOSED WITHOUT WRITTEN CONSENT

Type: BB02-KH
BB02-KH
Drawing Number:
Sheet 1 of 1
Drawing © E and O E