

BB02-NP :- 1.27mm ( 0.05" ) STRAIGHT SMD FEMALE HEADER, SINGLE ROW - 2 TO 50 CONTACTS, DUAL ENTRY

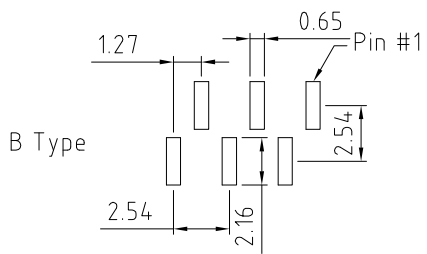
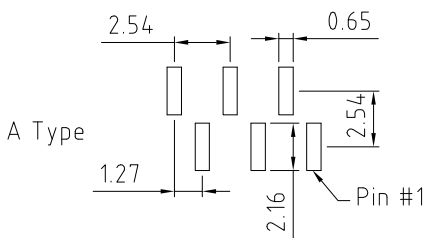
SPECIFICATIONS

CURRENT RATING	1 AMP
INSULATOR RESISTANCE	1000 MEGOHMS MIN.
DIELECTRIC WITHSTANDING	300 V AC/DC
CONTACT RESISTANCE	20m OHMS MAX.
OPERATING TEMPERATURE	-40°C TO +105°C
CONTACT MATERIAL	PHOSPHOR BRONZE
INSULATOR MATERIAL	THERMOPLASTIC, UL 94V-0
	STANDARD: LCP OR EQUIVALENT
PLATING	GOLD, TIN OR SELECTIVE OVER 30~50U" NICKEL
SOLDERABILITY	IR REFLOW: 280°C FOR 10 SEC
	MANUAL SOLDER: 380°C FOR 3-5 SEC

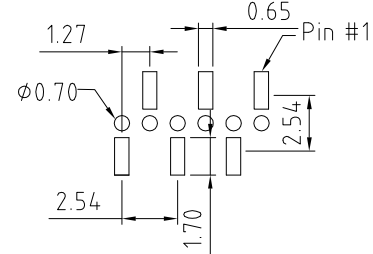
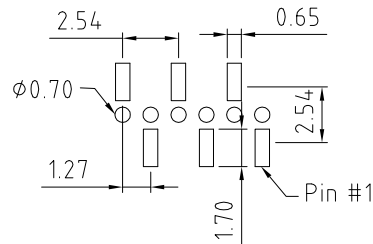
NOTES:

1. RECOMMENDED MATING PIN LENGTH FOR TOP ENTRY: 4.0MM.
2. PARTS WITH SMALL PIN NUMBERS MIGHT BE PACKED IN BOX INSTEAD OF TUBE.

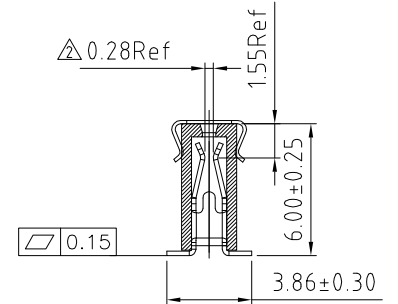
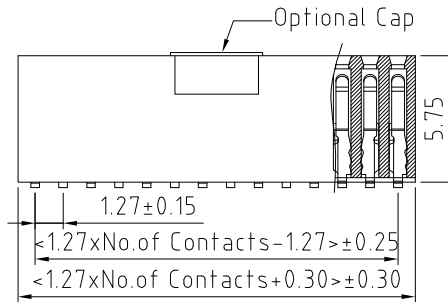
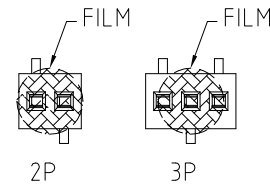
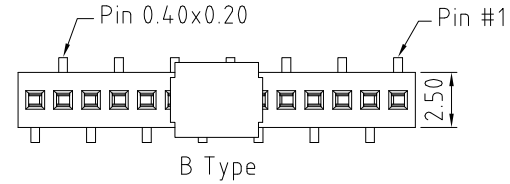
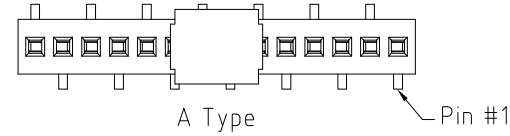
MATES WITH: - (0.46 SQUARE PINS)  
 BB02-BL BB02-NH  
 BB02-BM BB02-NM



RECOMMENDED PCB LAYOUT FOR TOP ENTRY (TOLERANCE: ±0.05)



RECOMMENDED PCB LAYOUT FOR BOTTOM ENTRY (TOLERANCE: ±0.05)



HOW TO ORDER



NO. OF CONTACTS:  
02 TO 50

FOOTPRINT TYPE:  
A = A TYPE  
B = B TYPE

CONTACT PLATING OPTIONS:  
 K = GOLD FLASH (STANDARD)  
 A = 10U" GOLD ON CONTACT/GOLD FLASH ON TAIL  
 B = 15U" GOLD ON CONTACT/GOLD FLASH ON TAIL  
 C = 30U" GOLD ON CONTACT/GOLD FLASH ON TAIL  
 T = BRIGHT TIN  
 M = MATT TIN  
 D = GOLD FLASH ON CONTACT/BRIGHT TIN ON TAIL

PACKAGING OPTIONS:  
 3 = TUBE  
 5 = TUBE + CAP (or FILM for 2 & 3 pins)  
 6 = TAPE & REEL  
 8 = TAPE & REEL + CAP (or FILM for 2 & 3 pins)  
 (SEE NOTE 2.)

REV. DATE & BRN  
 10. 24/05/10 - NYW RELEASE  
 11. 24/10/14 - NYW REMOVE PLATING OPTIONS E-G  
 12. 24/10/14 - NYW REMOVE DIMENSION  
 ADD NOTE 2.

Scale: 5:1  
 Drawn: NYW  
 App'd: XXXX  
 Date: 24 OCT. '14

THIRD ANGLE  
  
 Title SOCKET  
 Revision: 12

Unstated Tolerances:  
 X. ± 0.30  
 X ± 0.25  
 XX ± 0.15  
 XXX ± 0.10

Material  
 SEE NOTE  
 NOT TO SCALE  
 UNIT: mm



Type: BB02-NP  
 BB02-NP  
 Drawing Number:  
 Sheet 1 of 1  
 Drawing © E and OE

THIS DRAWING IS CONFIDENTIAL AND MUST NOT BE COPIED OR DISCLOSED WITHOUT WRITTEN CONSENT