

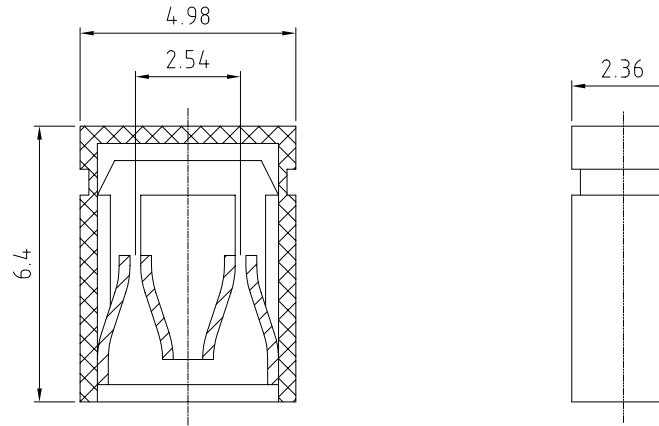
BB02-QG : 2.54mm MINI JUMPER, CLOSED TYPE, 2 CONTACTS

SPECIFICATIONS

CURRENT RATING	3 AMPS
VOLTAGE RATING	250V AC/DC
WITHSTANDING VOLTAGE	500V AC/MINUTE
INSULATOR RESISTANCE	1000 MEGOHMS MIN.
CONTACT RESISTANCE	20m OHMS MIN.
OPERATING TEMPERATURE	-40°C TO +105°C
CONTACT MATERIAL	BRASS
INSULATOR MATERIAL	POLYESTER UL 94V-0
	STANDARD: PBT
PLATING	GOLD FLASH OVER NICKEL

MATES WITH: - 2.54MM PIN HEADERS

NOTES:  
1. PACKAGING: 2,000PCS PER BAG.



HOW TO ORDER

BB02 - QG022 - K01 - 0000000

REV DATE & DRN  
10 22/07/08 - NYW RELEASE

Scale: 8=1	THIRD ANGLE	Unstated Tolerances: .X ± 0.3 .XX ± 0.2	Material SEE NOTE
Drawn: NYW			NOT TO SCALE
App'd: XXXX	Title JUMPER		Unit: mm
Date: 22 JUL '08	Revision: 1.0		



www.gradconn.com

© THIS DRAWING IS CONFIDENTIAL AND MUST NOT BE COPIED OR DISCLOSED WITHOUT WRITTEN CONSENT

Type: BB02-QG
BB02-QG
Drawing Number:
Sheet 1 of 1
Drawing © E and O E