

BB02-RQ :-2.00mm x 2.00mm (0.079" x 0.079") SOCKET, THROUGH HOLE, TRIPLE ROW, STRAIGHT OR RIGHT ANGLE - 06 to 120 CONTACTS

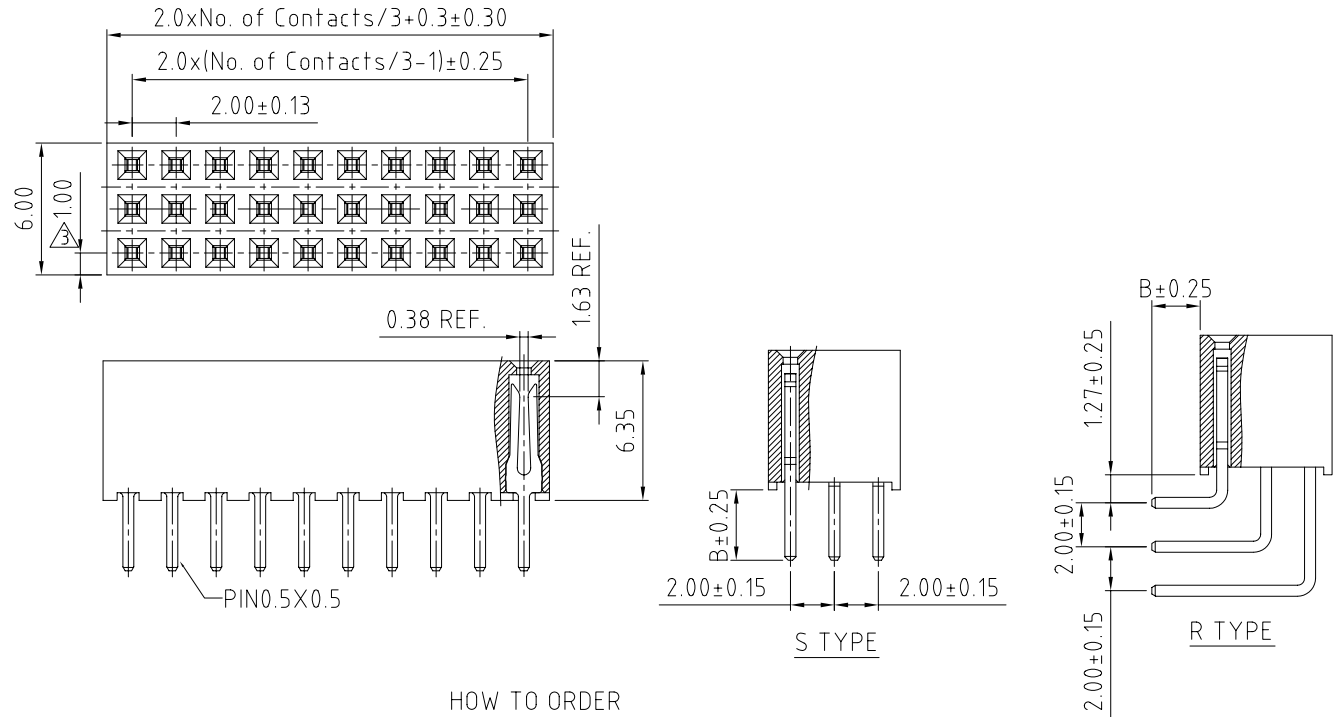
SPECIFICATIONS

CURRENT RATING 2 AMP
 INSULATOR RESISTANCE 1000 MEGOHMS MIN.
 CONTACT RESISTANCE 20m ohms MAX.
 DIELECTRIC WITHSTANDING AC 500 V
 OPERATING TEMPREATURE -40°C TO +105°C
 CONTACT MATERIAL PHOSPHOR BRONZE
 INSULATOR MATERIAL THERMOPLASTIC, UL 94V-0
 STANDARD: LCP
 PLATING GOLD, TIN OR SELECTIVE OVER 30-50U" NICKEL
 SOLDERABILITY IR REFLOW: 280°C FOR 10 SEC
 WAVE: 250°C FOR 5-10 SEC
 MANNUAL SOLDER: 380°C FOR 3-5 SEC

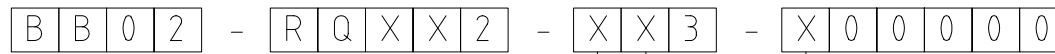
MATES WITH: - BB02-RR

NOTES:

1. PACKED IN TUBE OR BOX.
2. RECOMMANED MATING PIN LENGTH: 4.0MM



HOW TO ORDER

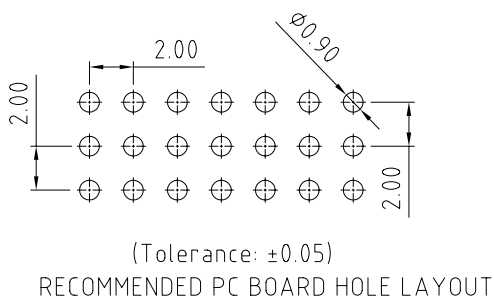


NO. OF CONTACTS
 09 to 99
 102 Contacts = A2
 105 Contacts = A5
 108 Contacts = A8
 111 Contacts = B1
 114 Contacts = B4
 117 Contacts = B7
 120 Contacts = C0

CONTACT PLATING OPTIONS
 K = GOLD FLASH (STANDARD)
 A = 10U" GOLD ON CONTACT/GOLD FLASH ON TAIL
 B = 15U" GOLD ON CONTACT/GOLD FLASH ON TAIL
 C = 30U" GOLD ON CONTACT/GOLD FLASH ON TAIL
 T = BRIGHT TIN
 M = MATT TIN
 D = GOLD FLASH ON CONTACT/BRIGHT TIN ON TAIL
 E = 10U" GOLD ON CONTACT/BRIGHT TIN ON TAIL
 F = 15U" GOLD ON CONTACT/BRIGHT TIN ON TAIL
 G = 30U" GOLD ON CONTACT/BRIGHT TIN ON TAIL

CONNECTOR TYPE
 S = STRAIGHT
 △R = RIGHT ANGLE

△"B" LENGTH OPTIONS
 A = 2.30MM (STRAIGHT)
 B = 3.40MM (STRAIGHT)
 △C = 2.20MM (RIGHT ANGLE)



REV.	DATE & DRN
11	05/06/09- NYW RELEASE
12	06/06/09- NYW ADD B LENGTH OPTIONS
13	24/06/09- NYW ADD RIGHT ANGLE TYPE
14	03/08/09- NYW ADD DIMENSION

Scale:	4:1	THIRD ANGLE	Unstated Tolerances: X ± 0.30 X ± 0.25 XX ± 0.15 XXX ± 0.10	Material	SEE NOTE
Drawn:	NYW				
App'd:	XXX	Title	SOCKET		NOT TO SCALE
Date:	3 NOV '09	Revision:	13	Unit:	mm

THIS DRAWING IS CONFIDENTIAL AND MUST NOT BE COPIED OR DISCLOSED WITHOUT WRITTEN CONSENT

Type:	BB02-RQ
Drawing Number:	BB02-RQ
Sheet	1 of 1
Drawing	© E and O E