

BB02-TD : 2.54mm x 2.54mm (0.1" x 0.1") PIN HEADER, SMD TYPE, RIGHT ANGLE, DUAL ROW, 6 TO 60 CONTACTS

SPECIFICATIONS

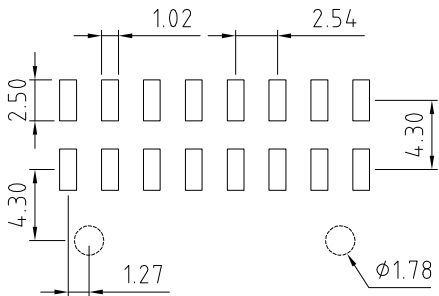
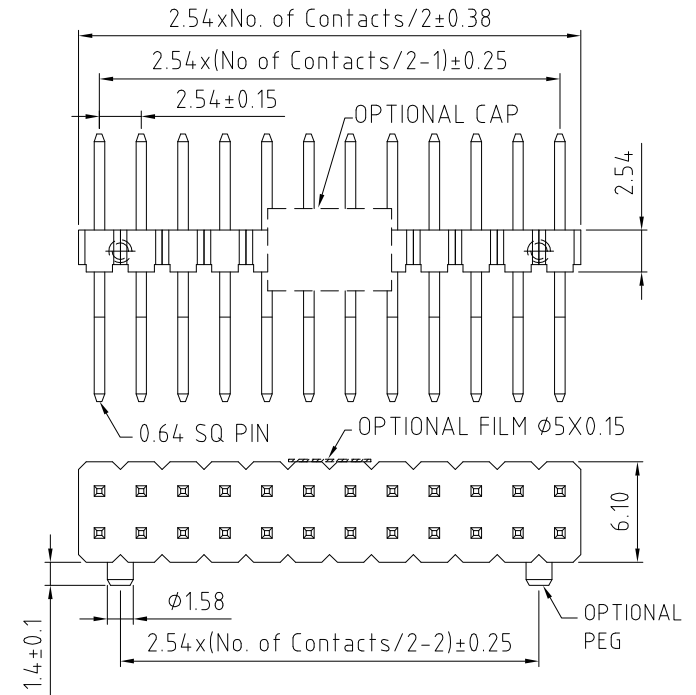
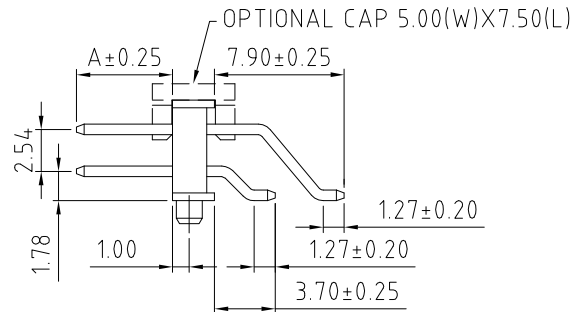
CURRENT RATING	3 AMPS
INSULATOR RESISTANCE	1000 MEGOHMS MIN.
CONTACT RESISTANCE	20 M OHMS MAX
DIELECTRIC WITHSTANDING	AC 600 V
OPERATING TEMPERATURE	-40°C TO +105°C
CONTACT MATERIAL	BRASS
INSULATOR MATERIAL	THERMOPLASTIC, UL 94V-0 STANDARD NYLON-6T
PLATING	GOLD, TIN OR SELECTIVE OVER 30-50U" NICKEL
SOLDERABILITY	NYLON 6T - IR REFLOW: 260°C FOR 10 SEC MANUAL SOLDER: 350°C FOR 3-5 SEC LCP - IR REFLOW: 280°C FOR 10 SEC MANUAL SOLDER: 380°C FOR 3-5 SEC

NOTE:

1. PARTS WITH SMALLER CONTACT NUMBERS MAY BE PACKED IN BOX INSTEAD OF IN TUBE.

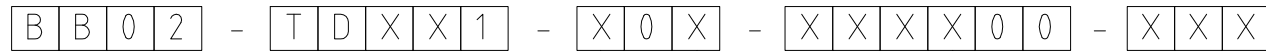
MATES WITH:

- BB02-JM	BB02-KH	BB02-KU
BB02-KA	BB02-KK	BB02-KW
BB02-KD	BB02-KM	BB02-LD
BB02-KF	BB02-KS	BB02-LE
BB02-KG	BB02-KT	



RECOMMENDED PC BOARD LAYOUT

HOW TO ORDER



NO. OF CONTACTS:
06 TO 60

CONTACT PLATING OPTIONS:

- K = GOLD FLASH (STANDARD)
- A = 10U" GOLD ON CONTACT/GOLD FLASH ON TAIL
- B = 15U" GOLD ON CONTACT/GOLD FLASH ON TAIL
- C = 30U" GOLD ON CONTACT/GOLD FLASH ON TAIL
- T = BRIGHT TIN
- M = MATT TIN
- D = GOLD FLASH ON CONTACT/BRIGHT TIN ON TAIL
- E = 10U" GOLD ON CONTACT/BRIGHT TIN ON TAIL
- F = 15U" GOLD ON CONTACT/BRIGHT TIN ON TAIL
- G = 30U" GOLD ON CONTACT/BRIGHT TIN ON TAIL

PACKAGING OPTIONS:

- 3 = TUBE (standard)
- 4 = TUBE & FILM
- 5 = TUBE & CAP
- 6 = TAPE & REEL
- 7 = TAPE & REEL & FILM
- 8 = TAPE & REEL & CAP (see note 1)

INSULATOR MATERIAL:
BLANK = NYLON 6T (STANDARD)
LCP = LIQUID CRYSTAL POLYMER

LOCATING PEG OPTIONS:
A = WITH PEGS
B = WITHOUT PEGS

PIN LENGTH A (1/10mm)
PLEASE SPECIFY PIN LENGTH REQUIRED
I.E. 2.5mm = 025
STANDARD = 058

REV	DATE & DRN
10	3/03/08 - NYW RELEASE
11	14/04/08 - CHC ADD PACKAGING OPTIONS 5&8
12	26/05/08 - NYW ADD LCP INSULATOR OPTION DRAWING MODIFICATION
13	25/12/08 - NYW ADD LCP INSULATOR OPTION DRAWING MODIFICATION
14	24/10/13 - NYW ADD NOTE 1

Scale:	3=1	THIRD ANGLE	Unstated Tolerances: X ± 0.30 X ± 0.25 XX ± 0.15 XXX ± 0.10	Material	SEE NOTE
Drawn:	NYW				
App'd:	XXXX	Title	PIN HEADER		NOT TO SCALE
Date:	24 OCT. '13	Revision:	1.4	Unit:	mm

www.gradconn.com

THIS DRAWING IS CONFIDENTIAL AND MUST NOT BE COPIED OR DISCLOSED WITHOUT WRITTEN CONSENT

Type:	BB02-TD
BB02-TD	
Drawing Number:	
Sheet 1	of 1
Drawing	© E and O E