

BB02-VN: 5.08mm (0.2") SOCKET, STRAIGHT, SMD, SINGLE ROW - 02 to 20 CONTACTS, DUAL ENTRY

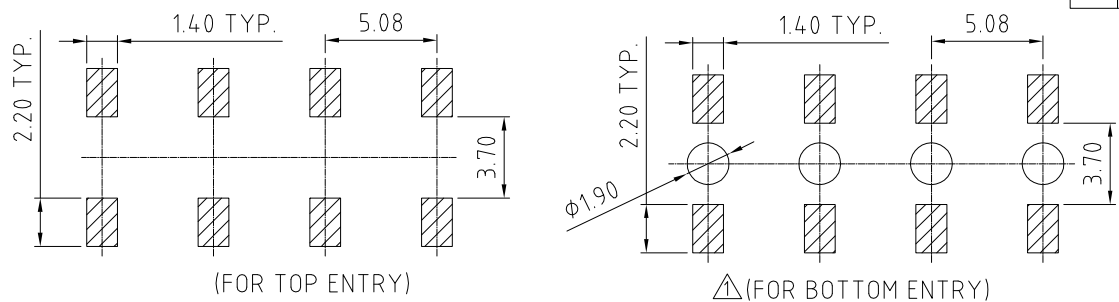
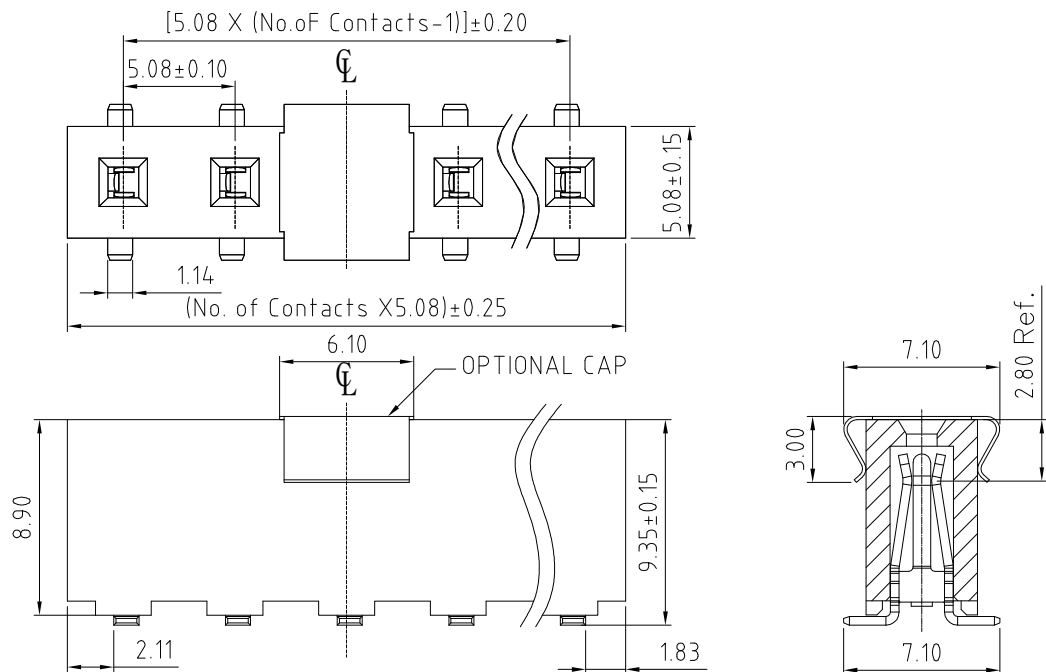
SPECIFICATIONS

CURRENT RATING	7.9 AMP
INSULATOR RESISTANCE	1000 MEGOHMS MIN.
CONTACT RESISTANCE	30m ohms MAX. Δ
DIELECTRIC WITHSTANDING	1000V AC/DC Δ
OPERATING TEMPERATURE	-40°C TO +105°C Δ
CONTACT MATERIAL	PHOSPHOR BRONZE
INSULATOR MATERIAL	LCP+30% G/F, UL 94V-0
PLATING	MATT TIN OVER 30-50U" NICKEL
SOLDERABILITY	IR REFLOW: 280°C FOR 10 SEC MANUAL SOLDER: 380°C FOR 3-5 SEC

MATES WITH: - BB02-VA BB02-VD
BB02-VB
BB02-VC

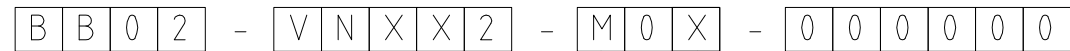
NOTES:

- GOLD FLASH PLATING IS AVAILABLE UPON REQUEST, PLEASE CONTACT US FOR MORE INFORMATION.
- RECOMMENDED MATING PIN LENGTH FOR TOP ENTRY: 5.0MM.



(TOLERANCE: ± 0.05)
RECOMMENDED PC BOARD LAYOUT

HOW TO ORDER



NO. OF CONTACTS:
02 TO 20

CONTACT PLATING OPTIONS:
M = MATT TIN (STANDARD)

PACKAGING OPTIONS:

- 3 = TUBE / BOX
- 5 = TUBE + CAP
- 6 = TAPE & REEL (2 TO 17 CONTACTS)
- 8 = TAPE & REEL + CAP (2 TO 17 CONTACTS)

REV.	DATE	BY	DESCRIPTION
10.	02/05/07	NYW	RELEASE
11.	25/07/07	NYW	RELEASE
12.	06/06/08	EHC	ADD BOTTOM ENTRY LAYOUT
13.	25/12/08	NYW	PLATING MODIFICATION
14.	05/03/09	NYW	DRAWING MODIFICATION
15.	20/07/10	NYW	REMOVE OTHER PLATING OPTIONS. ADD NOTES 1. ADD NOTES 2.
16.	21/05/10	CHC	DRAWING MODIFICATION
17.	25/07/11	NYW	REWORK SPECIFICATION
18.	07/11/11	NYW	MARK MAX. 17 CONTACTS FOR T&R PACKAGING.

Scale:	4:1
Drawn:	NYW
App'd:	XXXX
Date:	7 NOV. '14

THIRD ANGLE	
Title	SOCKET
Revision:	18

Unstated Tolerances:	X. ± 0.30 X. ± 0.25 .XX ± 0.15 .XXX ± 0.10
----------------------	---

Material	SEE NOTE
Unit:	mm

Type:	BB02-VN
Drawing Number:	BB02-VN
Sheet	1 of 1
Drawing	© E and O E