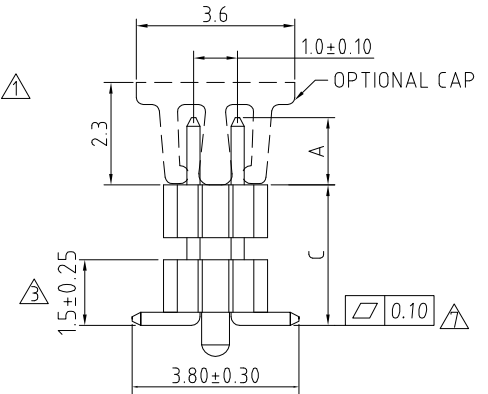
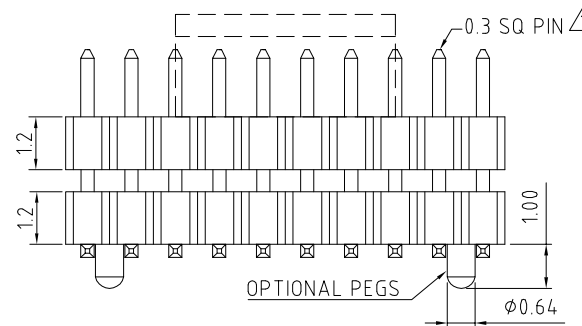
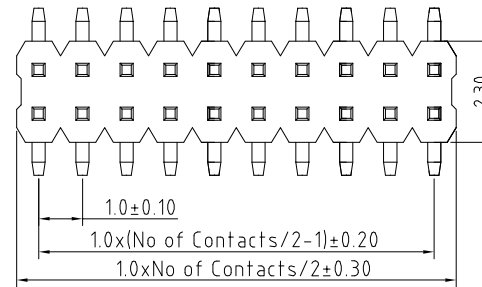
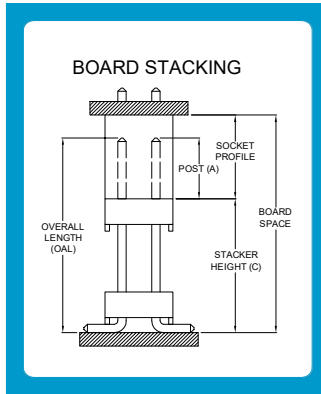


BB02-YH:- 1.00mm x 1.0mm (0.039" x 0.309") PIN HEADER, DUAL ROW, STRAIGHT, SMT TYPE, 04 TO 80 CONTACTS

SPECIFICATIONS

- CURRENT RATING: 1AMP
- INSULATOR RESISTANCE: 500 MEGOHMS MIN.
- DIELECTRIC WITHSTANDING: AC 600 V
- CONTACT RESISTANCE: 20m OHMS MAX.
- OPERATING TEMPERATURE: -40°C TO +105°C
- CONTACT MATERIAL: BRASS
- INSULATOR MATERIAL: THERMOPLASTIC, UL 94V-0
STANDARD: NYLON 6T OR LCP
- PLATING: GOLD OR TIN OVER 30-50U" NICKEL
- SOLDERABILITY - IR REFLOW: 260°C FOR 10 SEC
MANUAL SOLDER: 350°C FOR 3-5 SEC

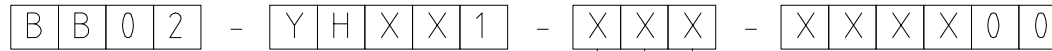


MATES WITH: - BB02-WA

NOTES:

- MAX. OAL (OVERALL PIN LENGTH A+C) = 22mm.
- PARTS WITH SMALL PIN NUMBERS MAY BE PACKED IN BOX INSTEAD OF TUBE.

HOW TO ORDER



NO. OF CONTACTS:
04 to 80

LOCATING PEGS OPTIONS:
A = WITH PEGS
B = WITHOUT PEGS

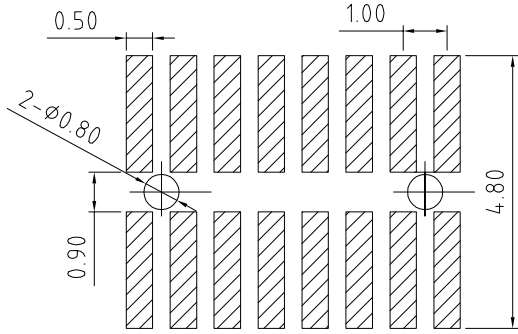
CONTACT PLATING OPTIONS:
K = GOLD FLASH (STANDARD)
P = 10U" GOLD OVERALL
Q = 15U" GOLD OVERALL
R = 30U" GOLD OVERALL
T = BRIGHT TIN
M = MATT TIN

PACKAGING OPTIONS:
3 = TUBE
5 = TUBE + CAP
6 = TAPE & REEL
8 = TAPE & REEL + CAP
(see Note 3)

PIN LENGTH A (1/10mm)
SPECIFY PIN LENGTH
STANDARD = 20 = 2.0mm
MINIMUM = 10 = 1.0mm
MAXIMUM = 150 = 15.0mm
TOL.: ±0.25mm

PIN LENGTH C (1/10mm)
SPECIFY PIN LENGTH
IE 25 = 2.5mm
MINIMUM = 27 = 2.7mm
MAXIMUM = SEE NOTES 2.
TOL.: ±0.25mm

LONGER PIN LENGTH REQUIRED?
If pin length required is longer than 9.9mm (99), then use a '/' to separate the numbers.
Example: A=6.0mm, C=12.5mm, mark as 60 / 125 / 00.



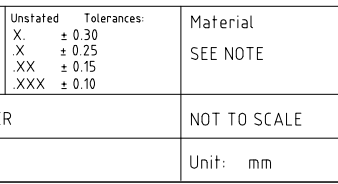
RECOMMENDED PCB SMT LAYOUT

REV.	DATE & DRN
10	30/06/05-NYW RELEASE
11	14/09/05-NYW AMEND PIN DIAMETER
12	24/07/06 - NYW DRAWING MODIFICATION
13	16/05/07 - NYW ADD LENGTH 13 ON DIAL
14	06/06/08 - CHC PLATING MODIFICATION
15	17/07/08 - NYW ADD NOTE 1
16	23/07/08 - NYW CHANGE PLATING OPTIONS
17	09/07/08 - CHC ADD SOLDER LEAD CO-PLANARITY
18	10/12/08 - CHC ALUMINUM PLATING
19	24/12/08 - NYW DRAWING MODIFICATION
20	23/09/13 - NYW REMOVE NOTE 1
21	18/03/14 - NYW ADD NOTE 3
22	29/07/20 - NYW ADD LOCATING PEGS OPTION. CHANGE INSULATOR TO LCP.

Scale:	8:1
Drawn:	CHC
App'd:	XXX
Date:	29 JUL '20

THIRD ANGLE	
Title:	PIN HEADER
Revision:	2.2

Unstated Tolerances:	X. ± 0.30 X ± 0.25 XX ± 0.15 XXX ± 0.10
Material	SEE NOTE
NOT TO SCALE	
Unit:	mm



Type	BB02-YH
Drawing Number:	BB02-YH
Sheet	1 of 1
Drawing	© E and O E

THIS DRAWING IS CONFIDENTIAL AND MUST NOT BE COPIED OR DISCLOSED WITHOUT WRITTEN CONSENT