

CAB419RF: SMB S/T PLUG + SMA STRAIGHT BULKHEAD JACK WITH O-RING RATED TO IP67/68 + RG178 CABLE

SPECIFICATIONS :

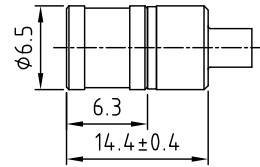
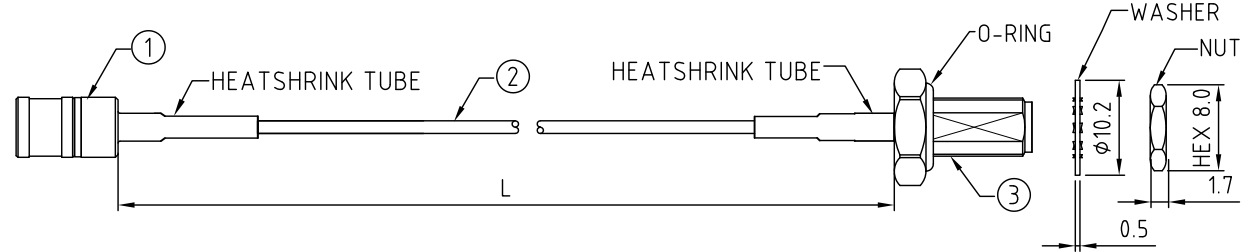
1. SMB STRAIGHT PLUG, P/N: RFCT-SMB005-M78.
2. RG178 COAXIAL CABLE, COLOR: BROWN.
3. SMA STRAIGHT BULKHEAD JACK WITH O-RING RATED TO IP67/68, P/N: RFCT-SMA002-F78.

ENVIRONMENTAL:

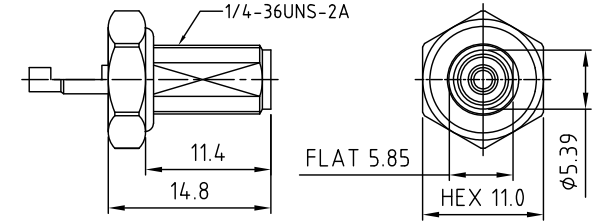
- A. BULKHEAD MOUNTED CONNECTOR (RFCT-SMA002-F78) TESTED TO THE FOLLOWING SPECIFICATION:
- i. IP6X - DUST TIGHT - NO PARTICLE INGRESS.
 - ii. IPX7 WATERPROOF FOR 30 MINUTES UP TO 1 METER UNDERWATER.
 - iii. IPX8 WATERPROOF FOR 48 HOURS AT 1 METER UNDERWATER.
 - iv. IPX8 WATERPROOF FOR 12 HOURS AT 5 METERS UNDERWATER.
 - v. PRESSURE TEST - 1 BAR FOR 10 SECONDS.

NOTES:

1. WORKING FREQUENCY RANGE: DC - 3GHz
2. OPERATING TEMPERATURE: -40°C TO +125°C
3. IMPEDANCE: 50 OHM.



SMB DETAIL DRAWING



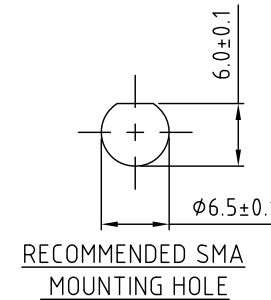
SMA DETAIL DRAWING

HOW TO ORDER
CAB419RF - X X X X - X - 1

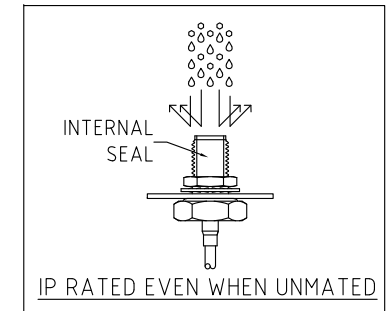
"L" LENGTH IN MM:
eg: 100MM = 0100
(MIN. 0050-MAX.2000)
STANDARD = 0100, 0150, 0200)
Tolerance: 50mm: ±2mm
51-200mm: ±5mm.
201-500mm: ±7mm.
>500mm: ±10mm.

CABLE SIZE:
1 = RG178 CABLE, COLOR: BROWN

WASHER AND NUT OPTIONS:
BLANK = SEPARATELY PACKED (STANDARD)
A = ALL ASSEMBLED WITH CONNECTOR



RECOMMENDED SMA
MOUNTING HOLE



IP RATED EVEN WHEN UNMATED

REV. DATE & DRN
11/20/07/24 - CC
ADD IP RATING VIEW

Scale: NTS	THIRD ANGLE	Unstated .X .XX .XXX	Tolerances: N/A N/A N/A
Drawn: CC		ANGLES	N/A
App'd: XXX	Title CABLE ASSEMBLY		
Date: 20 JAN. '24	Revision: 1.1	Unit: mm	

 IP Rated RF Products	 www.gradconn.com	Drawing Number: CAB419RF	
		Sheet 1 of 1	Drawing © E and O E
© THIS DRAWING IS CONFIDENTIAL AND MUST NOT BE COPIED OR DISCLOSED WITHOUT WRITTEN CONSENT			