

CAB421RF: I-PEX MHF 4L LK PLUG + RP FRONT MOUNT SMA STRAIGHT BULKHEAD JACK WITH O-RING RATED TO IP67/68 + 1.37MM CABLE, 3GHz

SPECIFICATIONS :

1. I-PEX MHF 4L LK PLUG, P/N:20632-001R-37.  
LOCK: 3615-000
2. 1.37MM COAXIAL CABLE, COLOR: BLACK
3. RP FRONT MOUNT SMA STRAIGHT BULKHEAD JACK WITH O-RING RATED TO IP67/68, P/N: RFCT-SMA013-F78.

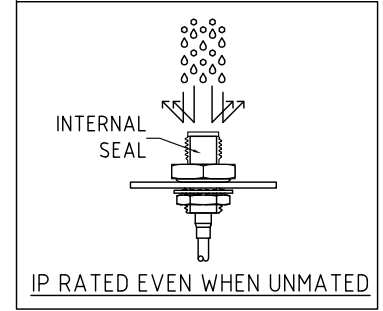
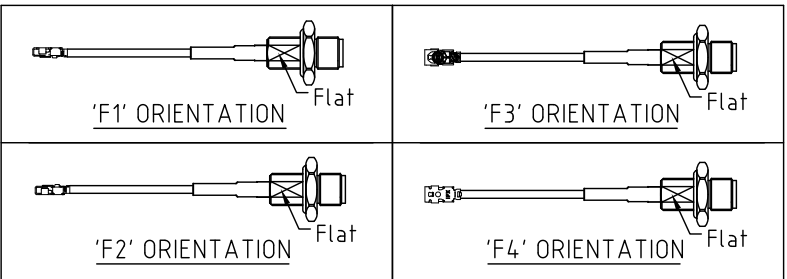
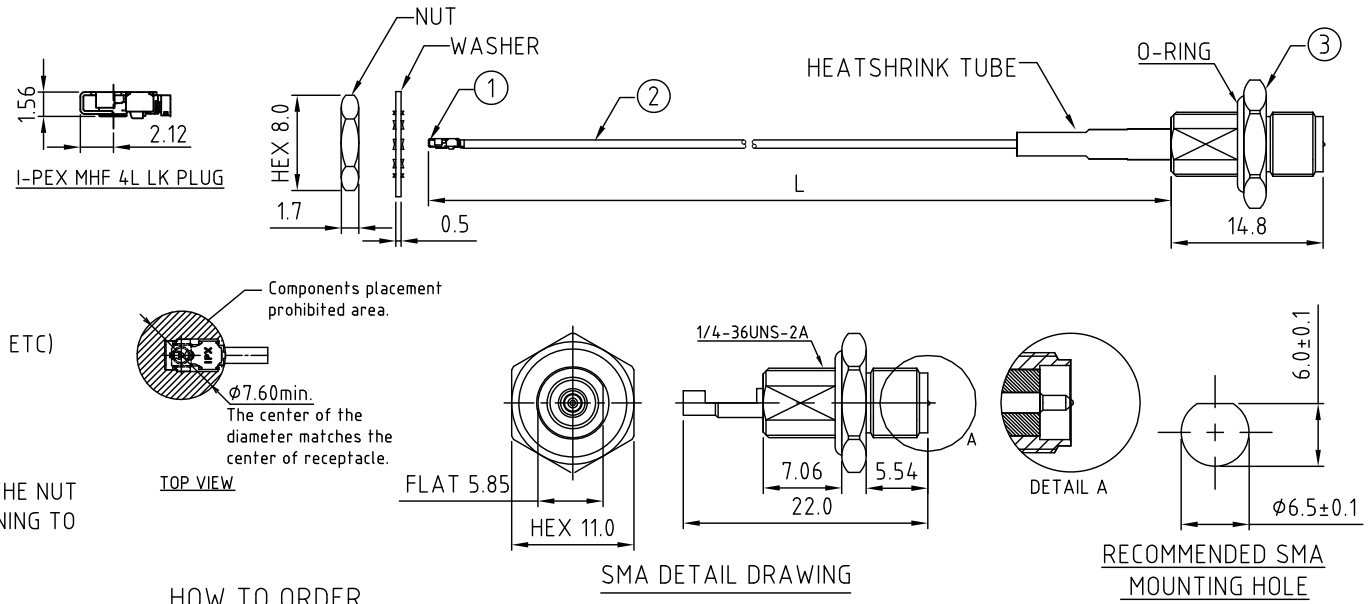
**USAGE PRECAUTIONS: CABLES USING 'MICRO' COAX ARE DELICATE:**  
 (i) HANDLE WITH CARE.  
 (ii) DO NOT TWIST; APPLY EXCESSIVE FORCES OR SHARP BENDS TO THE CABLE. DO NOT FORCEFULLY DEFORM WIRES.  
 (iii) CONSULT CONNECTOR MANUFACTURER'S DATASHEETS FOR DETAILED NOTES ON HANDLING INSTRUCTIONS.

ENVIRONMENTAL:

- A. BULKHEAD MOUNTED CONNECTOR (RFCT-SMA013-F78) RATED TO THE FOLLOWING SPECIFICATION:
- i. IP6X - DUST TIGHT - NO PARTICLE INGRESS.
  - ii. IPX7 WATERPROOF FOR 30 MINUTES UP TO 1 METER UNDERWATER.
  - iii. IPX8 WATERPROOF FOR 48 HOURS AT 1 METER UNDERWATER.

NOTES:

1. THE ORIENTATION OF CONNECTORS ON DRAWING IS FOR REFERENCE ONLY, IF THE ORDER IS LEFT BLANK THE CONNECTOR WILL NOT HAVE FIXED ORIENTATION.
2. FIXED ORIENTATION IS SUGGESTED FOR CABLE LENGTH 50MM TO 100MM. PLEASE SPECIFY THE FIXED ORIENTATIONS FROM THE ORDER CODE (F1, F2, ETC)
3. CONTACT GRADCONN IF THE ORIENTATION YOU REQUIRE IS NOT SHOWN.
4. WORKING FREQUENCY RANGE: DC-3GHz.
5. OPERATING TEMPERATURE: -40°C~+85°C.
6. IMPEDANCE: 50 Ohm.
7. IT IS INTENDED THAT MOUNTING OF THIS CONNECTOR IS ACHIEVED USING THE NUT AND WASHER PROVIDED. PLEASE CONTACT GRADCONN FOR ADVISE IF PLANNING TO USE A DIFFERENT METHOD OF MOUNTING.



REV. DATE & DRN  
 TO 06/09/20 - NYW RELEASE  
 11 28/04/21 - NYW  
 12 20/07/21 - NYW  
 13 20/07/21 - NYW  
 ADD IP RATING VIEW

|                   |                      |   |   |
|-------------------|----------------------|---|---|
| Scale: NTS        | THIRD ANGLE          | Unstated<br>.X<br>.XX<br>.XXX<br>ANGLES | Tolerances:<br>N/A<br>N/A<br>N/A<br>N/A |
| Drawn: CC         |                      |   |   |
| App'd: XXX        | Title CABLE ASSEMBLY |   |   |
| Date: 20 JAN. '24 | Revision: 1.2        | Unit: mm                                |   |

IP Rated RF Products

www.gradconn.com

THIS DRAWING IS CONFIDENTIAL AND MUST NOT BE COPIED OR DISCLOSED WITHOUT WRITTEN CONSENT

|                             |           |
|-----------------------------|-----------|
| Drawing Number:<br>CAB421RF |           |
| Sheet 1                     | of 1      |
| Drawing                     | E and O E |