

CAB453RF: MMCX RIGHT ANGLE PLUG + S/S TNC FEMALE STRAIGHT BULKHEAD JACK W/O-RING RATED TO IP67/68 + RG174 CABLE

SPECIFICATIONS:

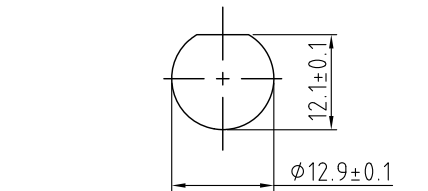
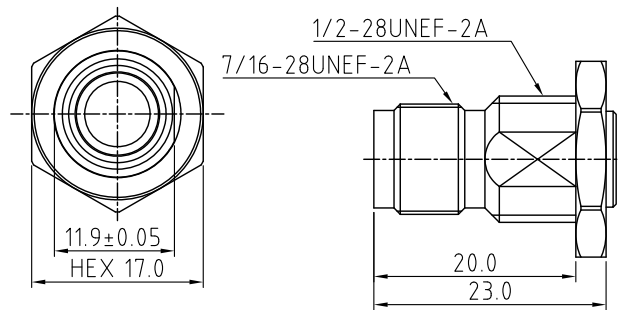
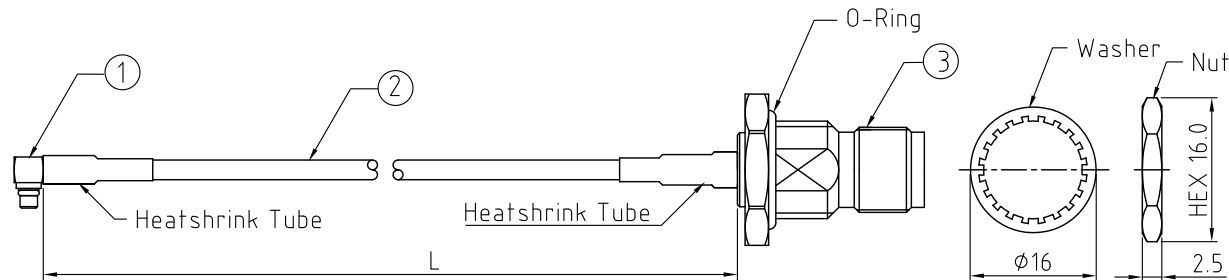
1. MMCX RIGHT ANGLE PLUG, P/N: RFCT-MMCX004-M74.
2. RG174 COAXIAL CABLE, COLOR: BLACK.
3. TNC STRAIGHT BULKHEAD JACK W/O-RING, W/SUS303 STAINLESS STEEL BODY, RATED TO IP67/68, P/N: RFCT-TNC019-F74 (WITH SILICONE O-RING).

ENVIRONMENTAL:

- A. BULKHEAD MOUNTED CONNECTOR (RFCT-TNC019-F74) RATED TO THE FOLLOWING SPECIFICATION:
- i. IP6X - DUST TIGHT - NO PARTICLE INGRESS.
  - ii. IPX7 WATERPROOF FOR 30 MINUTES UP TO 1 METER UNDERWATER.
  - iii. IPX8 WATERPROOF FOR 48 HOURS AT 1 METER UNDERWATER.

NOTES:

1. THE ORIENTATION OF CONNECTORS ON DRAWING IS FOR REFERENCE ONLY, IF THE ORDER IS LEFT BLANK THE CONNECTOR WILL NOT HAVE FIXED ORIENTATION.
2. FIXED ORIENTATION IS SUGGESTED FOR CABLE LENGTH 50MM TO 100MM. PLEASE SPECIFY THE FIXED ORIENTATIONS FROM THE ORDER CODE (F1, F2, ETC)
3. CONTACT GRADCONN IF THE ORIENTATION YOU REQUIRE IS NOT SHOWN.
4. WORKING FREQUENCY RANGE: DC-3GHz.
5. OPERATING TEMPERATURE: -40°C TO +85°C
6. IMPEDANCE: 50 OHM
7. IF THE CONNECTOR IS USED IN A CORROSIVE ENVIRONMENT, WE RECOMMEND THE CONNECTOR FACE IS PROTECTED WITH A STAINLESS STEEL DUST CAP.
8. PLEASE USE THE RECOMMENDED TORQUE FORCES FOR STAINLESS STEEL CONNECTORS. THIS IS PUBLISHED ON GRADCONN.COM RESOURCES PAGE.



TNC DETAIL DRAWING

RECOMMENDED TNC MOUNTING HOLE

HOW TO ORDER

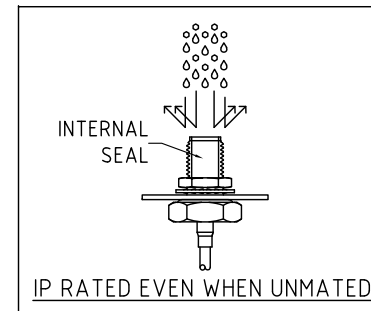
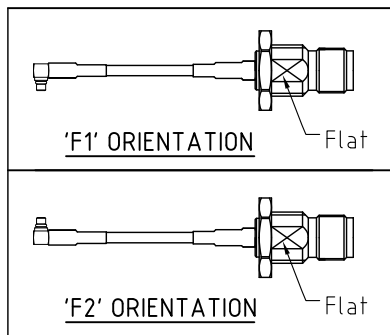
CAB453RF - X X X X - X X - X - 1 - S

"L" LENGTH IN MM  
 eg: 100MM = 0100  
 (MIN. = 0050, MAX. = 2000,  
 STANDARD = 0100, 0150, 0200)  
 Tolerance: 50-200mm: ±5mm.  
 201-500mm: ±7mm.  
 >500mm: ±10mm.

O-RING MATERIAL:  
 S = SILICONE, BLACK

WASHER AND NUT OPTIONS:  
 BLANK = SEPARATELY PACKED (STANDARD)  
 A = ASSEMBLED WITH CONNECTOR

ORIENTATION OPTIONS:  
 BLANK = DOES NOT HAVE A FIXED ORIENTATION  
 F1 = MMCX CONNECTION DOWN (L=50-200MM)  
 F2 = MMCX CONNECTION UP (L=50-200MM)  
 (SEE NOTES 1, 2, 3 AND DIAGRAMS FOR MORE INFORMATION)



REV. DATE & DRN	10 15/07/21 - NYW RELEASE
11 27/06/21 - NYW	
12 05/07/21 - NYW	
13 22/12/22 - NYW	
14 30/05/23 - NYW	
15 ADD EPDM O-RING OPTION.	
16 REMOVE EPDM O-RING OPTION.	
ADD IP RATING VIEW	

Scale: NTS	THIRD ANGLE	Unstated Tolerances:
Drawn: CC		.X ±0.2
App'd: XXX	Title CABLE ASSEMBLY	.XX ±0.2
Date: 28 JAN. '24	Revision: 1.6	.XXX ±0.2
	Unit: mm	ANGLES N/A

IP Rated RF Products

www.gradconn.com

Drawing Number:	
CAB453RF	
Sheet 1	of 1
Drawing ©	E and O E