



CAB493RF: I-PEX MHF PLUG + FRONT MOUNT S/S SMA STRAIGHT BULKHEAD JACK W/O-RING RATED TO IP68/69K + MULTIPLE CABLE SIZES, 6GHz

SPECIFICATIONS :

1. I-PEX MHF PLUG, GOLD PLATED, P/N:
FOR RG178 CABLE: 20278-112R-18.
FOR ϕ 1.13MM LL CABLE: 20278-112R-13.
2. COAXIAL CABLE, SEE P/N OPTIONS FOR DETAIL.
3. FRONT MOUNT SMA STRAIGHT BULKHEAD JACK W/O-RING, W/SUS303 STAINLESS STEEL BODY, RATED TO IP68/69K, P/N: RFCT-SMA095-F78 (WITH SILICONE O-RING) OR RFCT-SMA095-F78-1 (WITH EPDM O-RING).

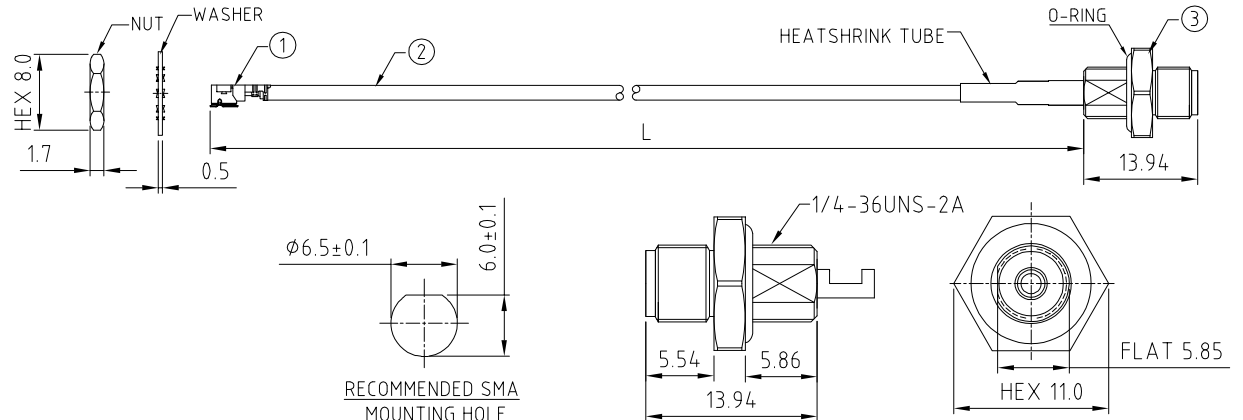
ENVIRONMENTAL:

- A. BULKHEAD MOUNTED CONNECTOR (RFCT-SMA095-F78) TESTED TO THE FOLLOWING SPECIFICATION:
 - i. IP6X - DUST TIGHT - NO PARTICLE INGRESS.
 - ii. IPX8 WATERPROOF FOR 48 HOURS AT 1 METER UNDERWATER.
 - iii. IPX9K WATER SPRAY, 14-16L PER MINUTE, AT 8,000-10,000 KPA, AT 100-150MM DISTANCE FOR 30 SECONDS.

NOTES:

1. THE ORIENTATION OF CONNECTORS ON DRAWING IS FOR REFERENCE ONLY, IF THE ORDER IS LEFT BLANK THE CONNECTOR WILL NOT HAVE FIXED ORIENTATION.
2. FIXED ORIENTATION IS SUGGESTED FOR CABLE LENGTH 25MM TO 100MM. PLEASE SPECIFY THE FIXED ORIENTATIONS FROM THE ORDER CODE (F1, F2, ETC)
3. CONTACT GRADCONN IF THE ORIENTATION YOU REQUIRE IS NOT SHOWN.
4. WORKING FREQUENCY RANGE: DC-6GHz.
5. OPERATING TEMPERATURE: -40°C TO +85°C
6. IMPEDANCE: 50 OHM
7. IF THE CONNECTOR IS USED IN A CORROSIVE ENVIRONMENT, WE RECOMMEND THE CONNECTOR FACE IS PROTECTED WITH A STAINLESS STEEL DUST CAP.
8. PLEASE USE THE RECOMMENDED TORQUE FORCES FOR STAINLESS STEEL CONNECTORS. THIS IS PUBLISHED ON GRADCONN.COM RESOURCES PAGE.

USAGE PRECAUTIONS: CABLES USING 'MICRO' COAX ARE DELICATE:
 (i) HANDLE WITH CARE.
 (ii) DO NOT TWIST; APPLY EXCESSIVE FORCES OR SHARP BENDS TO THE CABLE. DO NOT FORCEFULLY DEFORM WIRES.
 (iii) CONSULT CONNECTOR MANUFACTURER'S DATASHEETS FOR DETAILED NOTES ON HANDLING INSTRUCTIONS.



HOW TO ORDER
 CAB493RF - X X X X - X X - X - X - X

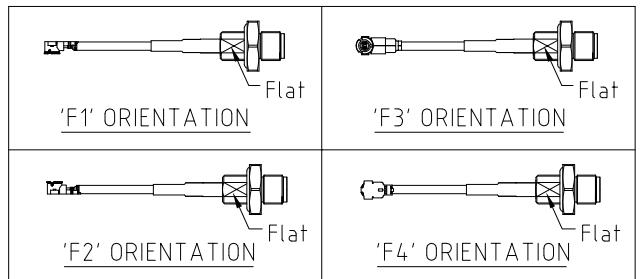
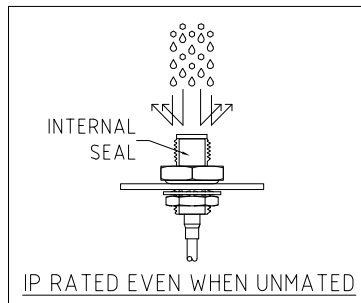
"L" LENGTH IN MM:
 eg: 100MM = 0100
 (MIN. 0025-MAX.0400
 STANDARD = 0100, 0150, 0200)
 Tolerance: 50mm: ±2mm.
 51-200mm: ±5mm.
 201-400mm: ±7mm.

CABLE SIZE OPTIONS:
 1 = RG178 CABLE, COLOR: BROWN.
 2 = ϕ 1.13MM LOW LOSS CABLE, COL. OR: GRAY

O-RING MATERIAL OPTIONS:
 S = SILICONE, RED
 E = EPDM, BLACK (STANDARD)

WASHER AND NUT OPTIONS:
 BLANK = SEPARATELY PACKED (STANDARD)
 A = ALL ASSEMBLED WITH CONNECTOR

ORIENTATION OPTIONS:
 BLANK = DOES NOT HAVE A FIXED ORIENTATION
 F1 = MHF CONNECTION DOWN (L=25-200MM)
 F2 = MHF CONNECTION UP (L=25-200MM)
 F3 = MHF CONNECTION AND D FLAT SAME ORIENTATION (L=25-200MM)
 F4 = MHF CONNECTION AND D FLAT OPPOSITE ORIENTATION (L=25-200MM)
 (SEE NOTES 1, 2, 3 AND DIAGRAMS FOR MORE INFORMATION)



10. 07/02/21 - NYW RELEASE
11. 11/01/22 - NYW REMOVE PRELIMINARY MARKING
12. 07/07/22 - NYW ADD CABLE OPTION 2
13. 07/07/22 - NYW ADD NOTE & NYW
14. 28/01/24 - CC ADD IP RATING VIEW
15. 01/03/24 - NYW MARK EPDM AS STANDARD

Scale: NTS	THIRD ANGLE	Unstated: .X N/A, .XX N/A, .XXX N/A	Tolerances: N/A, N/A, N/A
Drawn: CC		ANGLES	N/A
App'd: XXX	Title: CABLE ASSEMBLY		
Date: 1 MAR. '24	Revision: 15	Unit: mm	

IP Rated RF Products www.gradconn.com

Drawing Number: CAB493RF	
Sheet 1	of 1
Drawing ©	E and O E