



CAB499RF: HIROSE U.FL PLUG + FRONT MOUNT SMA S/T BULKHEAD JACK WITH O-RING WITH 1.13 CABLE, GRAY - 6GHz

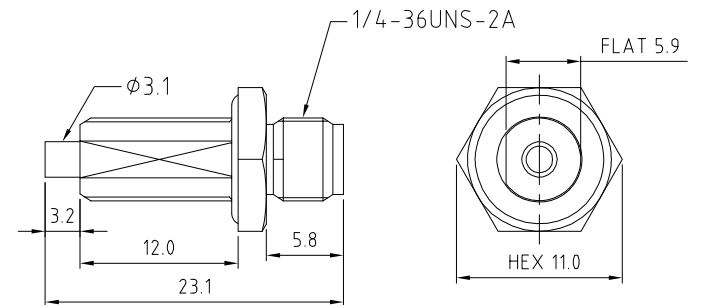
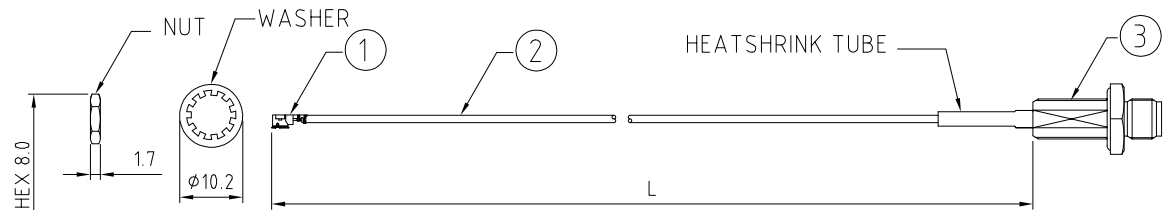
**SPECIFICATIONS :**

1. HIROSE U.FL PLUG, P/N: U.FL-LP-068
2.  $\phi$ 1.13MM COAXIAL CABLE, COLOR: GRAY
3. FRONT MOUNT SMA STRAIGHT BULKHEAD JACK WITH O-RING (RFCT-SMA009-F13).

**NOTES:**

1. THE ORIENTATION OF CONNECTORS ON DRAWING IS FOR REFERENCE ONLY, IF THE ORDER IS LEFT BLANK THE CONNECTOR WILL NOT HAVE FIXED ORIENTATION.
2. FIXED ORIENTATION IS SUGGESTED FOR CABLE LENGTH 25MM TO 100MM. PLEASE SPECIFY THE FIXED ORIENTATIONS FROM THE ORDER CODE (F1, F2, ETC)
3. CONTACT GRADCONN IF THE ORIENTATION YOU REQUIRE IS NOT SHOWN.
4. WORKING FREQUENCY RANGE: DC-6GHz
5. OPERATING TEMPERATURE: -40°C TO +85°C
6. IMPEDANCE: 50 OHM
7. IT IS INTENDED THAT MOUNTING OF THIS CONNECTOR IS ACHIEVED USING THE NUT AND WASHER PROVIDED.

**USAGE PRECAUTIONS: CABLES USING 'MICRO' COAX ARE DELICATE:**  
 (i) HANDLE WITH CARE.  
 (ii) DO NOT TWIST; APPLY EXCESSIVE FORCES OR SHARP BENDS TO THE CABLE. DO NOT FORCEFULLY DEFORM WIRES.  
 (iii) CONSULT CONNECTOR MANUFACTURER'S DATASHEETS FOR DETAILED NOTES ON HANDLING INSTRUCTIONS.



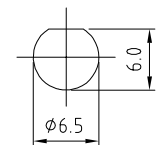
**HOW TO ORDER**  
 CAB499RF - X X X X - X X - X - 1

"L" LENGTH IN MM:  
 eg: 100MM = 0100  
 (MIN.0025-MAX.0400)  
 STANDARD = 0100, 0150, 0200)  
 Tolerance: <50mm :  $\pm$ 2mm.  
 51-200mm:  $\pm$ 5mm.  
 201-400mm:  $\pm$ 7mm.

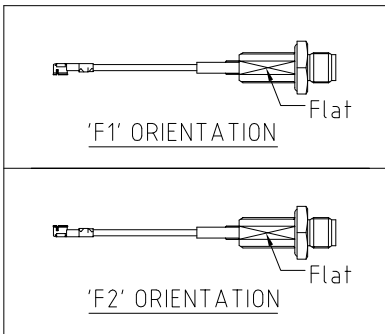
O-RING, WASHER AND NUT OPTIONS:  
 BLANK = SEPARATELY PACKED (STANDARD)  
 A = ALL ASSEMBLED WITH CONNECTOR

ORIENTATION OPTIONS:  
 BLANK = DOES NOT HAVE A FIXED ORIENTATION  
 F1 = U.FL CONNECTION DOWN (L=25-220MM)  
 F2 = U.FL CONNECTION UP (L=25-220MM)  
 (SEE NOTES 1, 2, 3 AND DIAGRAMS FOR MORE INFORMATION)

SMA JACK DETAIL DIMENSION



RECOMMENDED MOUNTING HOLE



REV. DATE & DRN  
 1.0 28/01/22 - NYW RELEASE

Scale: NTS	THIRD ANGLE	Unstated X .XX .XXX ANGLES	Tolerances: N/A N/A N/A N/A	Material SEE NOTE
Drawn: NYW				
App'd: XXX	Title CABLE ASSEMBLY			NOT TO SCALE
Date: 28 JAN. '22	Revision: 1.0			Unit: mm

www.gradconn.com

THIS DRAWING IS CONFIDENTIAL AND MUST NOT BE COPIED OR DISCLOSED WITHOUT WRITTEN CONSENT

Drawing Number: CAB499RF	
Sheet 1	of 1
Drawing	E and O E