

CAB503RF: MCX R/A PLUG + SMA RIGHT ANGLE BULKHEAD JACK WITH O-RING RATED TO IP67/68 + MULTIPLE CABLE SIZES, 6GHz

SPECIFICATIONS :

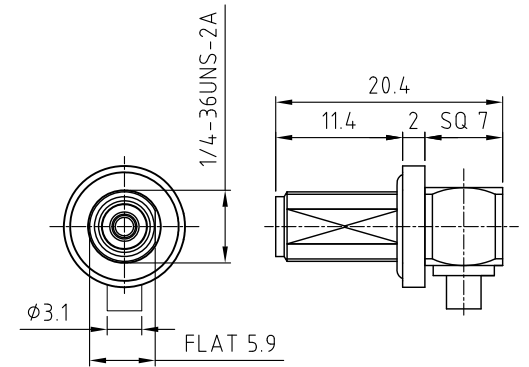
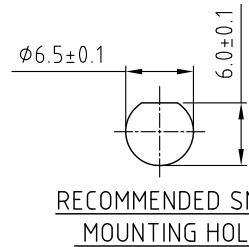
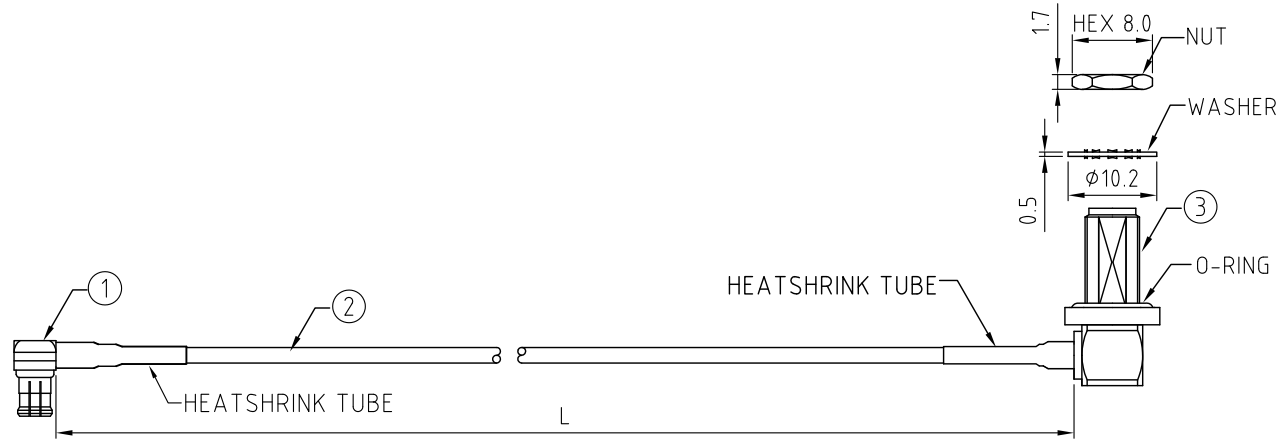
- MCX RIGHT ANGLE PLUG, P/N:
FOR RG178 CABLE: RFCT-MCX008-M78.
FOR ϕ 1.13MM LL CABLE: RFCT-MCX008-M13.
- COAXIAL CABLE, SEE P/N OPTIONS FOR DETAIL.
- SMA RIGHT ANGLE BULKHEAD JACK WITH O-RING RATED TO IP67/68, GOLD PLATED, P/N:
FOR RG178 CABLE: RFCT-SMA073-F78.
FOR ϕ 1.13MM LL CABLE: RFCT-SMA079-F13.

ENVIRONMENTAL:

- BULKHEAD MOUNTED CONNECTOR (RFCT-SMA073-F78/RFCT-SMA079-F13) RATED TO THE FOLLOWING SPECIFICATION:
 - IP6X - DUST TIGHT - NO PARTICLE INGRESS.
 - IPX7 WATERPROOF FOR 30 MINUTES UP TO 1 METER UNDERWATER.
 - IPX8 WATERPROOF FOR 48 HOURS AT 1 METER UNDERWATER.

NOTES:

- THE ORIENTATION OF CONNECTORS ON DRAWING IS FOR REFERENCE ONLY, IF THE ORDER IS LEFT BLANK THE CONNECTOR WILL NOT HAVE FIXED ORIENTATION.
- FIXED ORIENTATION IS SUGGESTED FOR CABLE LENGTH 25MM TO 100MM. PLEASE SPECIFY THE FIXED ORIENTATIONS FROM THE ORDER CODE (F1, F2, ETC)
- CONTACT GRADCONN IF THE ORIENTATION YOU REQUIRE IS NOT SHOWN.
- WORKING FREQUENCY RANGE: DC-6GHz.
- OPERATING TEMPERATURE: -40°C TO +125°C
- IMPEDANCE: 50 OHM.



HOW TO ORDER

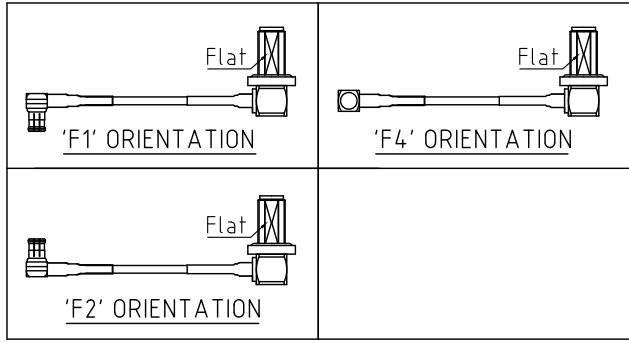
CAB503RF - X X X X - X X - X - X

"L" LENGTH IN MM:
eg: 100MM = 0100
(MIN. 0050-MAX.2000
STANDARD = 0100, 0150, 0200)
Tolerance: 50-200mm: \pm 5mm.
201-500mm: \pm 7mm.
>501mm: \pm 10mm.

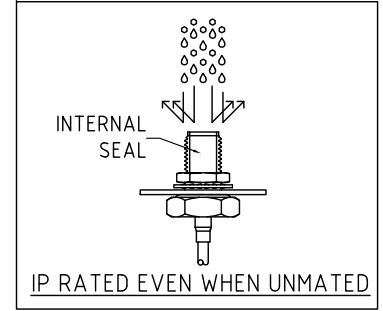
CABLE SIZE OPTIONS:
1 = RG178 CABLE, COLOR: BROWN
2 = ϕ 1.13MM LOW LOSS CABLE, COLOR: GRAY

WASHER AND NUT OPTIONS:
BLANK = SEPARATELY PACKED (STANDARD)
A = ASSEMBLED WITH CONNECTOR

ORIENTATION OPTIONS:
BLANK = DOES NOT HAVE A FIXED ORIENTATION
F1 = OPPOSITE ORIENTATION (L=25-200MM)
F2 = SAME ORIENTATION (L=25-200MM)
F4 = MCX CONNECTION OPPOSITE TO SMA D-FLAT
(SEE NOTES 1, 2, 3 AND DIAGRAMS FOR MORE INFORMATION)



SMA DETAIL DRAWING



REV. DATE & DRN
1.0 11/05/22 - N/W RELEASE
1.1 23/12/22 - N/W FREQUENCY
1.2 08/07/24 - C/W
ADD IP RATING VIEW

Scale: NTS	THIRD ANGLE	Unstated .X .XX .XXX ANGLES	Tolerances: N/A N/A N/A N/A
Drawn: CC			
App'd: XXX	Title CABLE ASSEMBLY		
Date: 3 FEB. '24	Revision: 1.2	Unit: mm	

IP Rated RF Products

www.gradconn.com

Drawing Number: CAB503RF	
Sheet 1	of 1
Drawing ©	E and O E