

RFPC-TNC01-FN: TNC Right Angle Bulkhead Jack With O-ring, PCB Connector, Rated to IP67/68

Material and Plating:

- Insulator A: Teflon
- Insulator B: Teflon
- Insulator C: Teflon
- Body: Brass, Nickel Plated
- Pin: Brass, Gold Plated
- Center Pin: Phosphor Bronze, Gold Plated
- Gasket: Silicone, Color: Red
- O-Ring: Silicone, Color: Red
- Cap: Brass, Nickel Plated

Washer: Brass, Nickel Plated

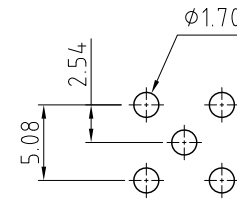
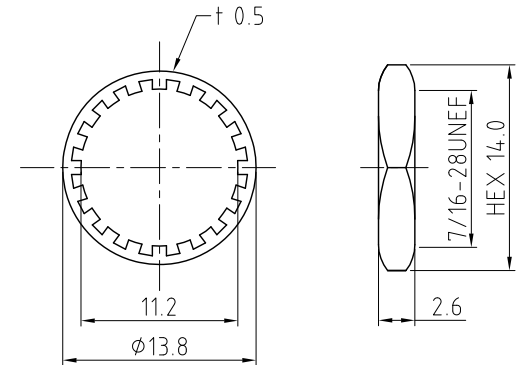
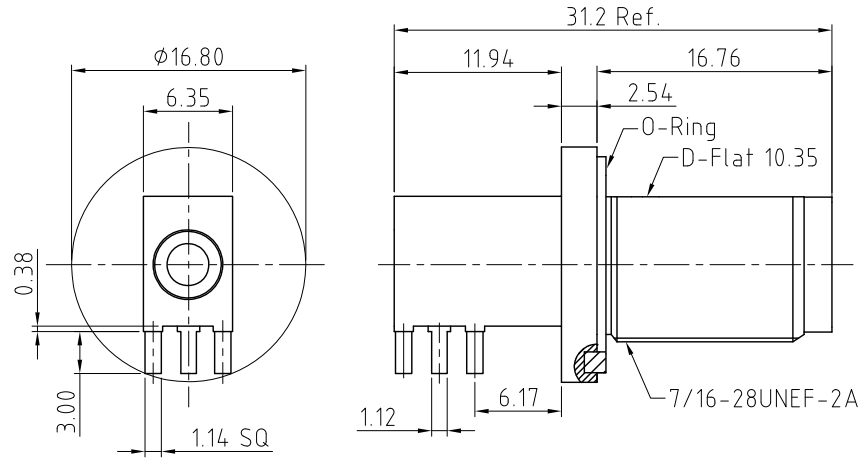
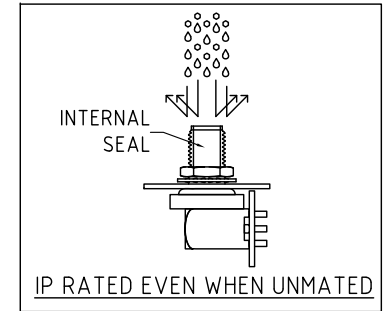
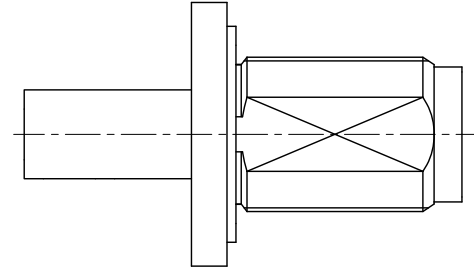
Nut: Brass, Nickel Plated

Environmental:

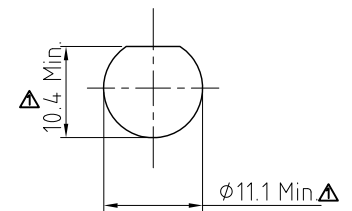
- A. Rated to:
 - i. IP6x - Dust tight - no particle ingress.
 - ii. IPx7 Waterproof for 30 minutes up to 1 meter underwater.
 - iii. IPx8 Waterproof for 48 hours at 1 meter underwater.

Notes:

- 1. Working Frequency Range: DC-4GHz.
- 2. Impedance: 50ohm.
- 3. Operating Temperature: -55°C~+155°C.



Recommended PCB Hole Layout



Recommended Mounting Hole
Applicable Panel Thickness:
Min. 0.7mm ~ Max. 2.7mm

HOW TO ORDER
RFPC - TNC01 - FN - X

WASHER AND NUT OPTIONS:
BLANK = SEPARATELY PACKED (STANDARD)
A = ALL ASSEMBLED WITH CONNECTOR

REV. DATE & DRN 11 11/04/22 - NYW RELEASE 12 08/07/23 - NYW WASHER & NUT PLATING 13 08/07/23 - NYW ADD PANEL MOUNTING HOLE SIZE. 13 08/06/23 - NYW AMEND CAP PLATING 14 07/07/24 - NYW ADD GASKET TO MATERIAL. 14 07/07/24 - NYW ADD O-RING TO ADDRESS. 15 03/07/24 - C ADD IP RATING VIEW	Scale: NTS	THIRD ANGLE	Unstated Tolerances: .X ± 0.20 .XX ± 0.20 .XXX ± 0.20 ANGLES $\pm 3^\circ$	 IP Rated RF Products	 www.gradconn.com	Type: RFPC-TNC01-FN
	Drawn: CC					RFPC-TNC01-FN
	App'd: XXX	Title TNC PCB Connector			Drawing Number:	
	Date: 31 MAR. '24	Revision: 1.5	Unit: mm	THIS DRAWING IS CONFIDENTIAL AND MUST NOT BE COPIED OR DISCLOSED WITHOUT WRITTEN CONSENT		Sheet 1 of 1
						Drawing © E and O E