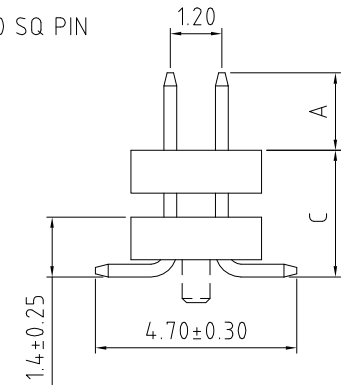
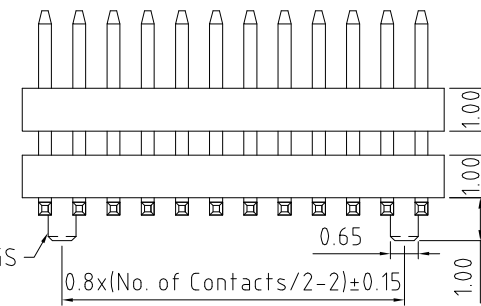
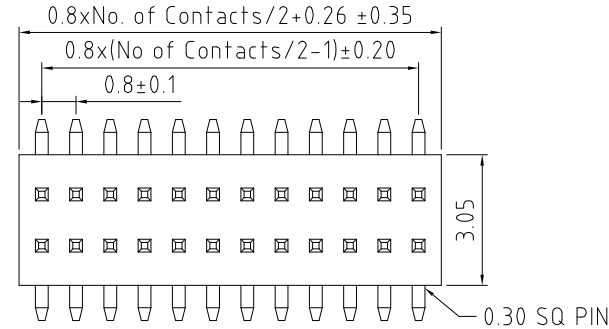
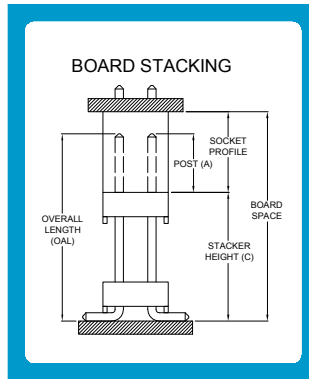


BB02-AW:- 0.8x1.2MM PIN HEADER, DUAL ROW, STRAIGHT, SMT TYPE, 06 TO 100 CONTACTS

SPECIFICATIONS

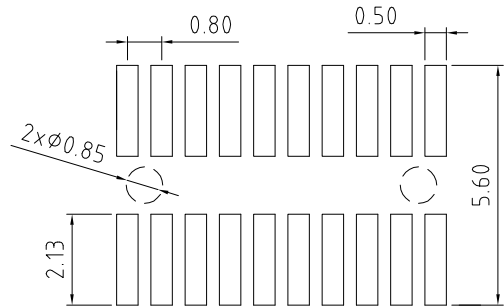
CURRENT RATING: 0.5AMP
 INSULATOR RESISTANCE: 1000 MEGOHMS MIN.
 DIELECTRIC WITHSTANDING: AC 300 V
 CONTACT RESISTANCE: 20m OHMS MAX.
 OPERATING TEMPERATURE: -40°C TO +105°C
 CONTACT MATERIAL: PHOSPHOR BRONZE
 INSULATOR MATERIAL: POLYESTER UL 94V-0
 STANDARD: LCP
 PLATING: GOLD, TIN OR SELECTIVE FLASH OVER 30-50U" NICKEL
 SOLDERABILITY IR REFLOW: 280°C FOR 10 SEC
 MANUAL SOLDER: 380°C FOR 3-5 SEC



MATES WITH: - BB02-AZ

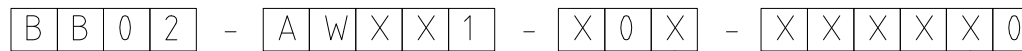
NOTES:

- NORMAL FIRST MOQ 10,000PCS TO COVER TOOLING CREATION, AFTER INITIAL ORDER MOQ DROPS TO 1,000 - 3,000PCS. BB02-AWxx1-x0x-2824x0 IS AVAILABLE WITH NORMAL MOQ 1,000-3,000PCS.
- PARTS WITH SMALLER PIN NUMBERS MAY BE PACKED LOOSE IN BOX INSTEAD OF TUBE.



RECOMMENDED PCB LAYOUT

HOW TO ORDER



NO. OF CONTACTS:
 06 to 98
 00 = 100
 (see Note 1)

CONTACT PLATING OPTIONS:
 K = GOLD FLASH (STANDARD)
 T = BRIGHT TIN
 M = MATT TIN
 D = GOLD FLASH ON CONTACT/BRIGHT TIN ON TAIL

PACKAGING OPTIONS:
 3 = TUBE (STANDARD)
 8 = TAPE & REEL + CAP
 (see Note 2)

PIN LENGTH A (1/10mm)
 PLEASE SPECIFY PIN LENGTH
 REQUIRED
 I.E. 2.5mm = 25
 STANDARD = 28
 TOL.: ±0.25

PIN LENGTH C (1/10mm)
 PLEASE SPECIFY PIN LENGTH
 REQUIRED
 I.E. 2.5mm = 25
 MINIMUM = 24 (STANDARD)
 MAXIMUM = 128
 TOL.: ±0.25

LOCATING PEG OPTIONS:
 A = WITH PEG
 B = WITHOUT PEG

REV. DATE & DRN
 1.0 13/01/12-NYW RELEASE
 1.1 13/03/14-NYW
 ADD NOTES 1 & 2.

Scale: 8:1	THIRD ANGLE	Unstated Tolerances: X ± 0.25 .XX ± 0.15 XXX ± 0.10
Drawn: NYW		
App'd: XXX	Title: PIN HEADER	Material: SEE NOTE
Date: 13 MAR '14	Revision: 1.1	Unit: mm

Material: SEE NOTE	NOT TO SCALE
www.gradconn.com	

THIS DRAWING IS CONFIDENTIAL AND MUST NOT BE COPIED OR DISCLOSED WITHOUT WRITTEN CONSENT

Type BB02-AW
BB02-AW
Drawing Number:
Sheet 1 of 1
Drawing © E and O E