

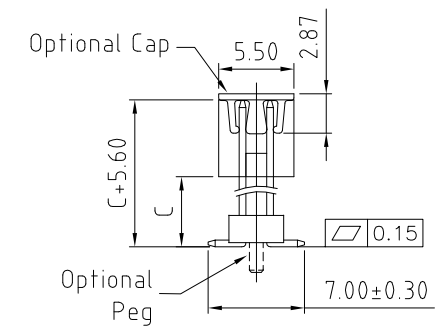
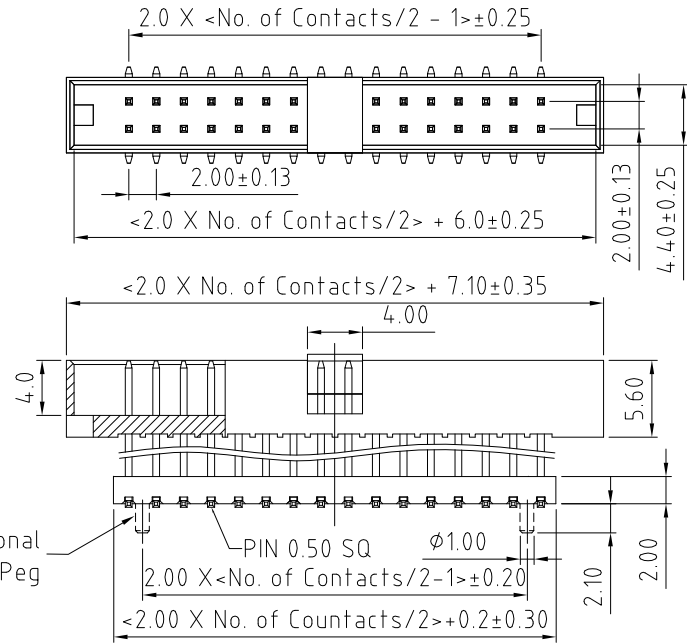
BB02-FW :- 2.00mm X 2.00mm (0.079" X 0.079") BOX HEADER, DUAL ROW, STRAIGHT, SMT TYPE, 08 TO 50 CONTACTS, BOARD SPACER

SPECIFICATIONS :

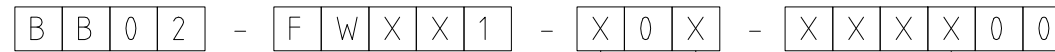
CURRENT RATING 2 AMP
 INSULATOR RESISTANCE 1000 MEGOHMS MIN.
 CONTACT RESISTANCE 20 m OHMS MAX.
 DIELECTRIC WITHSTANDING AC 500 V
 OPERATING TEMPERATURE -40°C TO +105°C
 CONTACT MATERIAL PHOSPHOR BRONZE
 INSULATOR MATERIAL THERMOPLASTIC, UL 94V-0
 STANDARD: NYLON-6T
 PLATING GOLD, TIN, OR SELECTIVE OVER 30-50U" NICKEL
 SOLDERABILITY: IR REFLOW: 260°C FOR 10 SEC
 MANUAL SOLDER: 350°C FOR 3-5 SEC

MATES WITH: - BB02-GH BB02-RJ
 BB02-GP BB02-RL
 BB02-GQ BB02-RP (perfect mate)

NOTES:
 1. MATING HEIGHT = C + 1.6 + SOCKET HEIGHT.



HOW TO ORDER



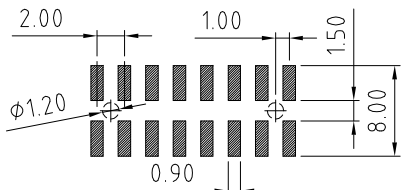
NO. OF CONTACTS:
08 TO 50

CONTACT PLATING OPTIONS:
 K = GOLD FLASH (STANDARD)
 A = 10U" GOLD ON CONTACT/GOLD FLASH ON TAIL
 B = 15U" GOLD ON CONTACT/GOLD FLASH ON TAIL
 C = 30U" GOLD ON CONTACT/GOLD FLASH ON TAIL
 T = BRIGHT TIN
 M = MATT TIN
 D = GOLD FLASH ON CONTACT/BRIGHT TIN ON TAIL
 E = 10U" GOLD ON CONTACT/BRIGHT TIN ON TAIL
 F = 15U" GOLD ON CONTACT/BRIGHT TIN ON TAIL
 G = 30U" GOLD ON CONTACT/BRIGHT TIN ON TAIL

PACKAGING OPTIONS:
 3 = TUBE (STANDARD)
 5 = TUBE + CAP
 6 = TAPE & REEL
 8 = TAPE & REEL + CAP

PIN LENGTH C (1/10mm)
 PLEASE SPECIFY PIN LENGTH REQUIRED
 I.E 5,0mm = 050
 MINIMUM = 025
 MAXIMUM = 200
 TOL. $\pm 0.25\text{mm}$

LOCATING PEG OPTIONS:
 A = WITH PEGS
 B = WITHOUT PEGS



(TOLERANCE: ± 0.05)

RECOMMENDED PC BOARD LAYOUT

REV.	DATE/DRN
10	11/01/11 - NYW RELEASE
11	07/03/14 - NYW AMEND MATING P/N
12	13/05/15 - NYW AMEND MIN. PIN NUMBER

Scale: 2.5:1	THIRD ANGLE	Unstated Tolerances: X ± 0.30 X ± 0.25 XX ± 0.15 XXX ± 0.10	Material SEE NOTE
Drawn: NYW			
App'd: XXX	Title: BOX HEADER		NOT TO SCALE
Date: 13 MAY '15	Revision: 1.2		Unit: mm

www.gradconn.com

THIS DRAWING IS CONFIDENTIAL AND MUST NOT BE COPIED OR DISCLOSED WITHOUT WRITTEN CONSENT

Type: BB02-FW
BB02-FW
Drawing Number:
Sheet 1 of 1
Drawing <input type="radio"/> E and O E