

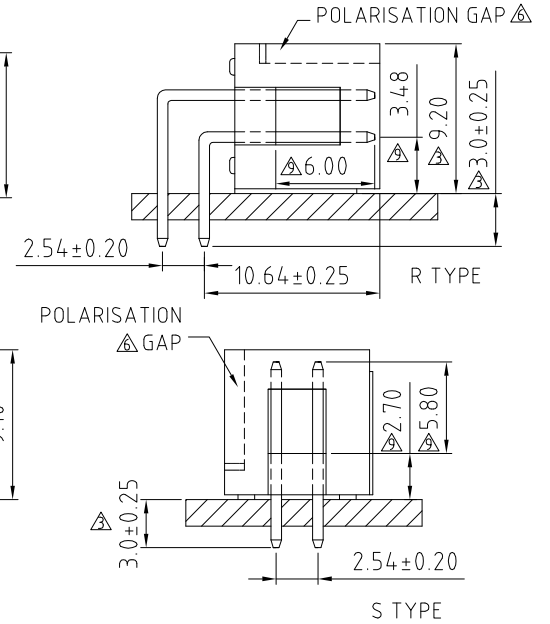
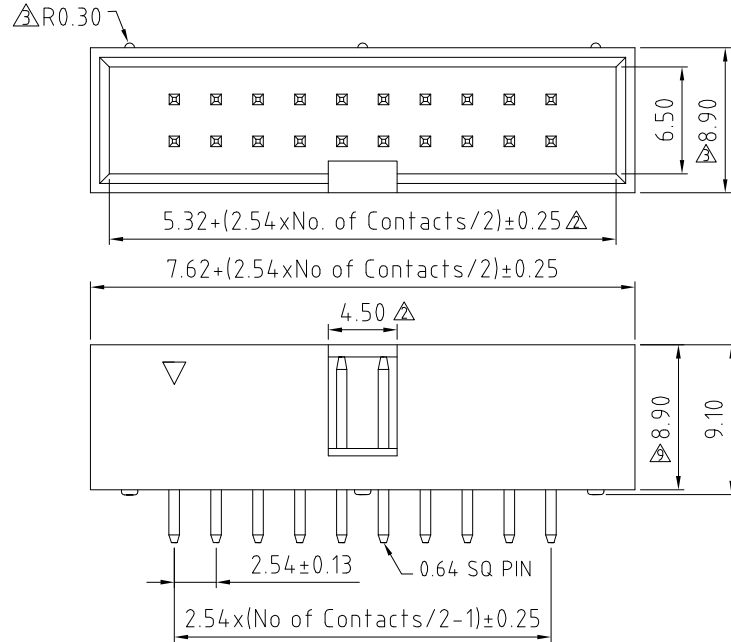
BB02-HQ:- 2.54mm X 2.54mm (0.1" X 0.1") BOX HEADER, DUAL ROW, THROUGH HOLE, 6 TO 64 CONTACTS, STRAIGHT OR R/A

SPECIFICATIONS :

CURRENT RATING 3 AMP
 INSULATOR RESISTANCE 1000 MEGOHMS MIN.
 DIELECTRIC WITHSTANDING AC 600 V
 OPERATING TEMPERATURE -40°C TO 105°C
 CONTACT MATERIAL BRASS
 INSULATOR MATERIAL THERMOPLASTIC, UL 94V-0
 NYLON 6T : STANDARD
 PBT : SPECIAL OPTION
 PLATING GOLD, TIN OR SELECTIVE OVER 30-50U" NICKEL
 SOLDERABILITY: NYLON 6T - IR REFLOW: 260°C FOR 10 SEC
 WAVE: 230°C FOR 5-10 SEC
 MANUAL SOLDER: 350°C FOR 3-5 SEC
 PBT - MANUAL SOLDER: 330°C FOR 3-5 SEC
 (NOT SUITABLE FOR HI-TEMP PROCESS)

PACKED IN TRAYS

MATES WITH: - BB02-KA BB02-KU
 BB02-KD BB02-KW (perfect mate)
 BB02-KH BB02-LD
 BB02-KK
 BB02-KT



HOW TO ORDER

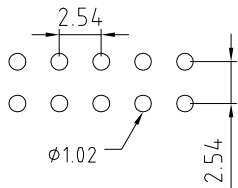


△ NO. OF CONTACTS:
 △ 06 TO 64
 (SOME PIN# WOULD REQUIRE HIGHER MOQ.)

CONTACT PLATING OPTIONS:
 K = GOLD FLASH (STANDARD)
 A = 10U" GOLD ON CONTACT/GOLD FLASH ON TAIL
 B = 15U" GOLD ON CONTACT/GOLD FLASH ON TAIL
 C = 30U" GOLD ON CONTACT/GOLD FLASH ON TAIL
 T = BRIGHT TIN
 M = MATT TIN
 D = GOLD FLASH ON CONTACT/BRIGHT TIN ON TAIL
 E = 10U" GOLD ON CONTACT/BRIGHT TIN ON TAIL
 F = 15U" GOLD ON CONTACT/BRIGHT TIN ON TAIL
 G = 30U" GOLD ON CONTACT/BRIGHT TIN ON TAIL

CONNECTOR TYPE:
 S = STRAIGHT
 R = RIGHT ANGLE

INSULATOR MATERIAL △
 6T = NYLON 6T (STANDARD)
 BLANK = PBT (Not suitable for new designs.)



RECOMMENDED PCB LAYOUT
 (TOLERANCE: ±0.05)

REV.	DATE & DRN
10	14/05/03 - IUR RELEASE
11	23/06/03 - IN CHG
12	23/06/03 - IN CHG
13	23/07/05 - NYW
14	23/07/05 - NYW
15	17/06/05 - NYW
16	07/07/05 - NYW
17	07/07/05 - NYW
18	07/07/05 - NYW
19	07/07/05 - NYW
20	07/07/05 - NYW
21	07/07/05 - NYW
22	07/07/05 - NYW
23	07/07/05 - NYW
24	07/07/05 - NYW
25	07/07/05 - NYW
26	07/07/05 - NYW
27	07/07/05 - NYW
28	07/07/05 - NYW
29	07/07/05 - NYW
30	07/07/05 - NYW

Scale:	3:1	THIRD ANGLE	Unstated Tolerances: X ±0.30 X ±0.25 XX ±0.15 XXX ±0.10	Material	SEE NOTE
Drawn:	CHC				
App'd:	XXXX	Title:	BOX HEADER		NOT TO SCALE
Date:	7 MAR. '14	Revision:	2.0	Unit:	mm

www.gradconn.com

THIS DRAWING IS CONFIDENTIAL AND MUST NOT BE COPIED OR DISCLOSED WITHOUT WRITTEN CONSENT

Type:	BB02-HQ
BB02-HQ	
Drawing Number:	
Sheet 1	of 1
Drawing	© E and O E