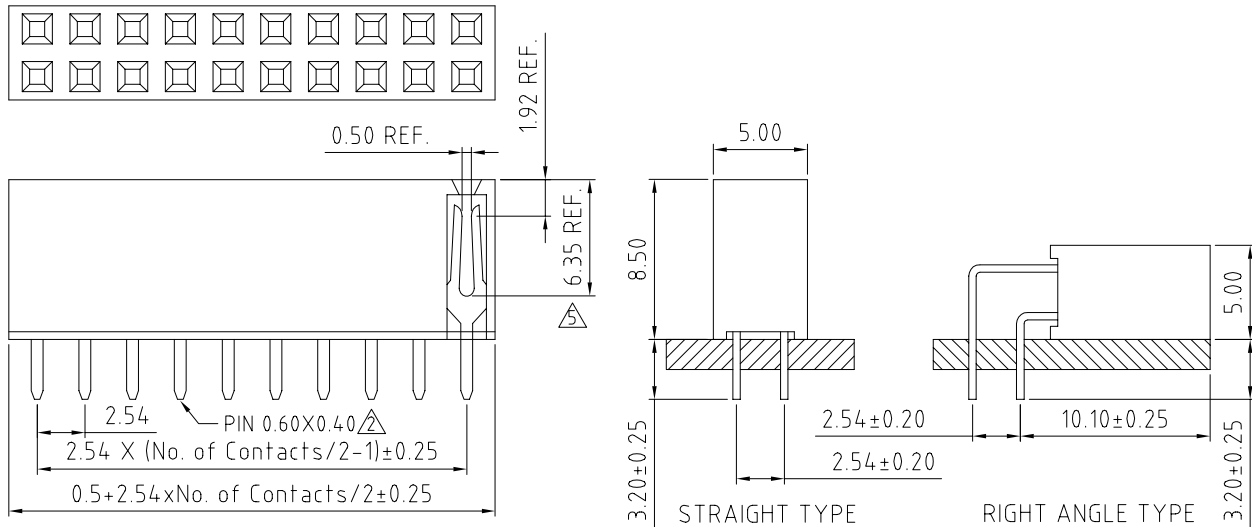


BB02-KA :- 2.54mm x 2.54mm (0.1" x 0.1") SOCKET, DUAL ROW, THROUGH HOLE, STRAIGHT OR R/A - 04 TO 80 CONTACTS

SPECIFICATIONS :

CURRENT RATING 3 AMPS
 INSULATOR RESISTANCE 1000 MEGOHMS MIN.
 CONTACT RESISTANCE 20 M OHMS MAX
 DIELECTRIC WITHSTANDING AC 600 V
 OPERATING TEMPERATURE -40°C TO +105°C
 CONTACT MATERIAL PHOSPHOR BRONZE
 INSULATOR MATERIAL THERMOPLASTIC, UL 94V-0
 NYLON 6T : STANDARD
 PBT : SPECIAL OPTION
 PLATING GOLD, TIN OR SELECTIVE OVER 30-50U" NICKEL
 SOLDERABILITY: NYLON 6T - IR REFLOW: 260°C FOR 10 SEC
 WAVE: 230°C FOR 5-10 SEC
 MANUAL SOLDER: 350°C FOR 3-5 SEC
 PBT - MANUAL SOLDER: 330°C FOR 3-5 SEC
 (NOT SUITABLE FOR HI-TEMP PROCESS)

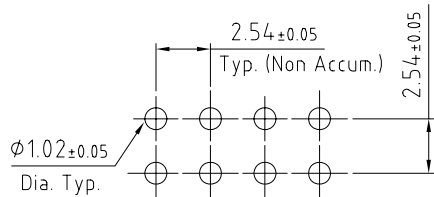
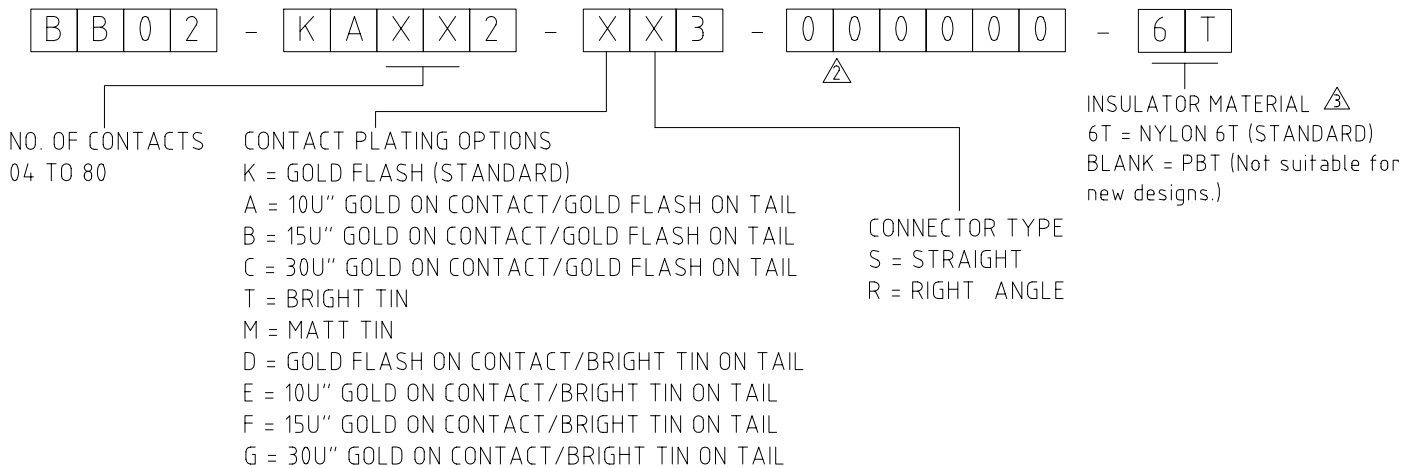


NOTES:

1. PACKED IN TRAY
2. RECOMMANED MATING PIN LENGTH: 6.0MM \triangle \triangle

MATES WITH: BB02-HE BB02-TF BB02-HF (straight version only)
 BB02-HJ BB02-TG BB02-HQ (straight version only)
 BB02-HP BB02-TH BB02-HR (straight version only)
 BB02-HU
 BB02-TD

HOW TO ORDER



RECOMMENDED PC BOARD HOLE LAYOUT

REV.	DATE & DRN
10	12/08/02 - AMC RELEASE
11	23/02/05 - NYW DRAWING MODIFICATION
12	19/09/05 - NYW REMOVE PIN LENGTH OPTION
13	17/08/05 - CHC AMEND PIN DIAMETER
14	17/08/05 - CHC ADD MATT TIN OPTION
15	29/05/07 - CHC DRAWING MODIFICATION
16	ADD NOTES 2
17	29/06/07 - NYW ADD CONTACT DIMENSION
18	28/05/08 - PN ADD MATT TIN PLATING
19	13/02/09 - NYW DRAWING MODIFICATION
20	28/08/09 - CHC AMEND NOTES 2

Scale:	5:1
Drawn:	CHC
App'd:	XXXX
Date:	28 AUG '09

THIRD ANGLE	
Title	SOCKET
Revision:	1.8

Unstated Tolerances:	
X	± 0.30
.X	± 0.25
XX	± 0.15
XXX	± 0.10

Material	SEE NOTE
	NOT TO SCALE
UNIT:	mm

THIS DRAWING IS CONFIDENTIAL AND MUST NOT BE COPIED OR DISCLOSED WITHOUT WRITTEN CONSENT

Type:	BB02-KA
	BB02-KA
Drawing Number:	
Sheet 1	of 1
Drawing	E and O E