

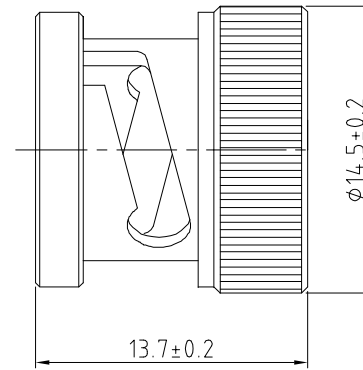
RFCT-BNC-CAP-GS-3: METAL PROTECTIVE CAP WITH GASKET FOR BNC JACK

Material and Plating:

1. Shell: Brass, nickel plated.
2. Gasket: Silicone, color: red.

Notes:

1. Operating Temperature: -40°C~+120°C



REV. DATE & DRN
 10 27/02/19 - NYW RELEASE
 11 17/06/20 - NYW
 REMOVED NAUTILUS RANGE.
 12 06/08/20 - NYW
 ADD NOTES 1.

| | | | |
|------------------|----------------|--|--|
| Scale: NTS | THIRD ANGLE | Unstated X .XX .XXX ANGLES | Tolerances: ±0.2 ±0.2 ±0.2 N/A |
| Drawn: NYW | | | |
| App'd: XXX | Title: BNC CAP | | |
| Date: 6 AUG. '20 | Revision: 1.2 | Unit: mm | |



THIS DRAWING IS CONFIDENTIAL AND MUST NOT BE COPIED OR DISCLOSED WITHOUT WRITTEN CONSENT ©

| |
|-------------------------|
| Type: RFCT-BNC-CAP-GS-3 |
| RFCT-BNC-CAP-GS-3 |
| Drawing Number: |
| Sheet 1 of 1 |
| Drawing © E and O E |