

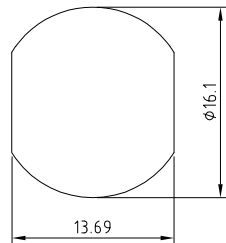
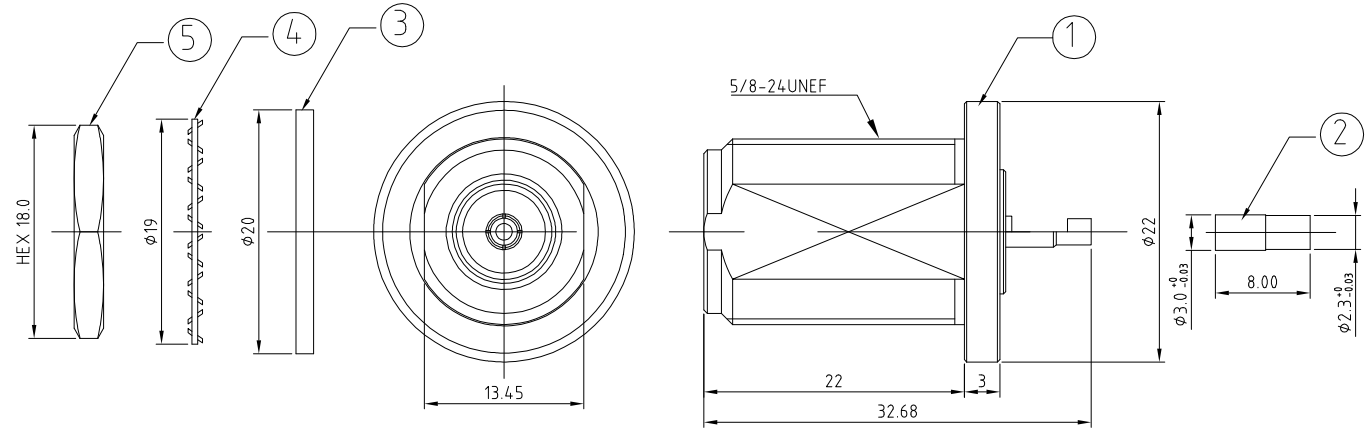
RFCT-N001-F78: N STRAIGHT BULKHEAD JACK WITH O-RING RATED TO IP67/68, FOR RG178 CABLE, 3GHz

Material and Plating:

- 1. Barrel: Brass, Nickel Plated.  
Gasket: Silicon, Color: Red.
- Pin: Phosphor Bronze, Gold Plated.
- Insulator A: Teflon.
- Insulator B: Teflon.
- Body: Brass, Nickel Plated.
- 2. Ferrule: Brass, Nickel Plated.
- 3. O-ring: Silicon, Color: Red.
- 4. Washer: Stainless Steel, Nickel Plated.
- 5. Nut: Brass, Nickel Plated.

Environmental:

- A. Rated to:
  - i. IP6x - Dust tight - no particle ingress.
  - ii. IPx7 Waterproof for 30 minutes up to 1 meter underwater.
  - iii. IPx8 Waterproof for 48 hours at 1 meter underwater.



RECOMMENDED MOUNTING HOLE  
MAX. PANEL THICKNESS: 9MM  
TOLERANCE:  $\pm 0.07$

REV. DATE & DRN	10 15/12/16 - NYM RELEASE
	11 17/03/17 - NYM DRAWING AMENDMENT
	12 13/11/17 - NYM AMEND APPLICABLE CABLE RANGE
	13 13/11/18 - NYM ADD WORKING FREQUENCY.

Scale: NTS	THIRD ANGLE	Unstated .X .XX .XXX ANGLES	Tolerances: N/A N/A N/A N/A
Drawn: NYW			
App'd: XXX	Title CABLE ASSEMBLY		
Date: 13 NOV. '18	Revision: 1.3	Unit: mm	

IP67/68 Rated Cables

[www.gradconn.com](http://www.gradconn.com)

© THIS DRAWING IS CONFIDENTIAL AND MUST NOT BE COPIED OR DISCLOSED WITHOUT WRITTEN CONSENT

Type: RFCT-N001-F78
RFCT-N001-F78
Drawing Number:
Sheet 1 of 1
Drawing © E and O E