

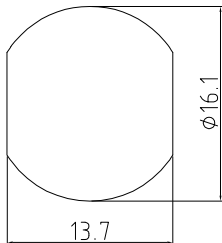
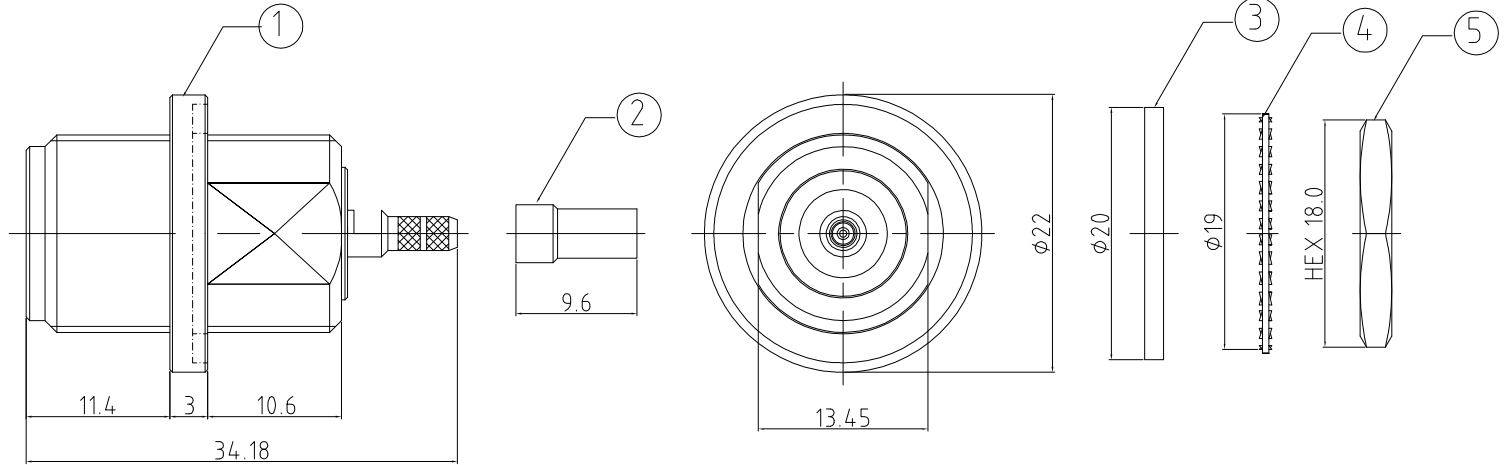
RFCT-N005-F74: FRONT MOUNT N STRAIGHT BULKHEAD JACK WITH O-RING RATED TO IP67/68, FOR RG316/RG174 CABLE, 3GHZ

Material and Plating:

- 1. Barrel: Brass, Nickel Plated.
Gasket: Silicon, Color: Red.
- Pin: Phosphor Bronze, Gold Plated.
- Insulator A: Teflon.
- Insulator B: Teflon.
- Body: Brass, Nickel Plated.
- 2. Ferrule: Brass, Nickel Plated.
- 3. O-ring: Silicon, Color: Red.
- 4. Washer: Stainless Steel, Nickel Plated.
- 5. Nut: Brass, Nickel Plated.

Environmental:

- A. Rated to:
 - i. IP6x - Dust tight - no particle ingress.
 - ii. IPx7 Waterproof for 30 minutes up to 1 meter underwater.
 - iii. IPx8 Waterproof for 48 hours at 1 meter underwater.



RECOMMENDED MOUNTING HOLE
MAX. PANEL THICKNESS: 4.2MM
TOLERANCE: ±0.07

REV. DATE & DRN
11 13/11/18 - NYW
ADD WORKING FREQUENCY.

Scale: NTS	THIRD ANGLE	Unstated X .XX XXX ANGLES	Tolerances: N/A N/A N/A N/A
Drawn: NYW			
App'd: XXX	Title CABLE ASSEMBLY		
Date: 13 NOV. '18	Revision: 1.1	Unit: mm	

IP67/68 Rated Cables

www.gradconn.com

Type: RFCT-N005-F74
RFCT-N005-F74
Drawing Number:
Sheet 1 of 1
Drawing © E and O E