

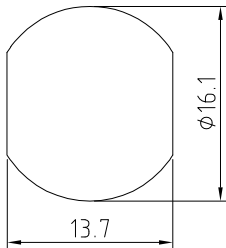
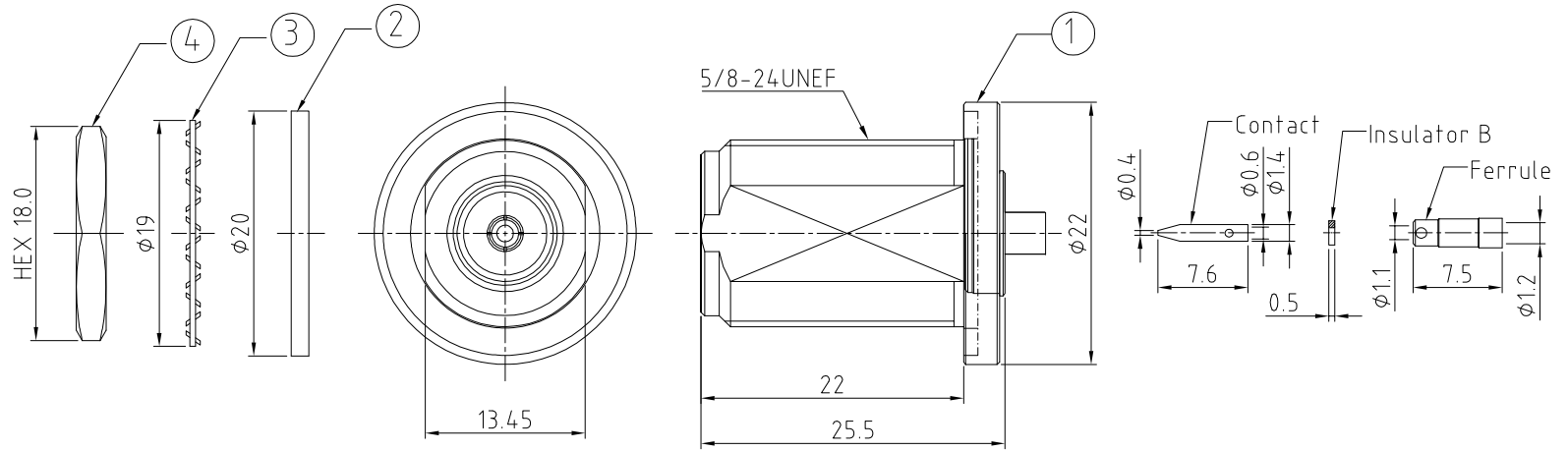
RFCT-N007-F13: N STRAIGHT BULKHEAD JACK WITH O-RING RATED TO IP67/68, FOR 1.13 CABLE, 6GHz

Material and Plating:

- 1. Barrel: Brass, Nickel Plated.
Gasket A: Silicon, Color: Red.
Gasket B: Silicon, Color: Red.
Pin: Phosphor bronze, Gold Plated.
Insulator: Teflon.
Body: Brass, Nickel Plated.
Contact: Brass, Gold Plated.
Insulator B: Teflon.
Ferrule: Brass, Gold Plated.
- 2. O-ring: Silicon, Color: Red.
- 3. Washer: Stainless Steel, Nickel Plated.
- 4. Nut: Brass, Nickel Plated.

Environmental:

- A. Rated to:
 - i. IP6x - Dust tight - no particle ingress.
 - ii. IPx7 Waterproof for 30 minutes up to 1 meter underwater.
 - iii. IPx8 Waterproof for 48 hours at 1 meter underwater.



RECOMMENDED MOUNTING HOLE
MAX. PANEL THICKNESS: 9MM
TOLERANCE: ±0.07

REV. DATE & DRN
TO 30/07/20 - CC RELEASE

Scale: NTS	THIRD ANGLE	Unstated X .XX .XXX ANGLES	Tolerances: N/A N/A N/A N/A
Drawn: CC			
App'd: XXX	Title CABLE ASSEMBLY		
Date: 30 JUL '20	Revision: 1.0	Unit: mm	

IP67/68 Rated Cables

www.gradconn.com

Type: RFCT-N007-F13
RFCT-N007-F13
Drawing Number:
Sheet 1 of 1
Drawing © E and O E