

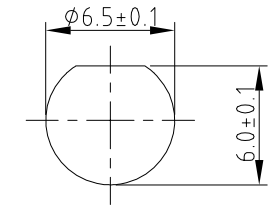
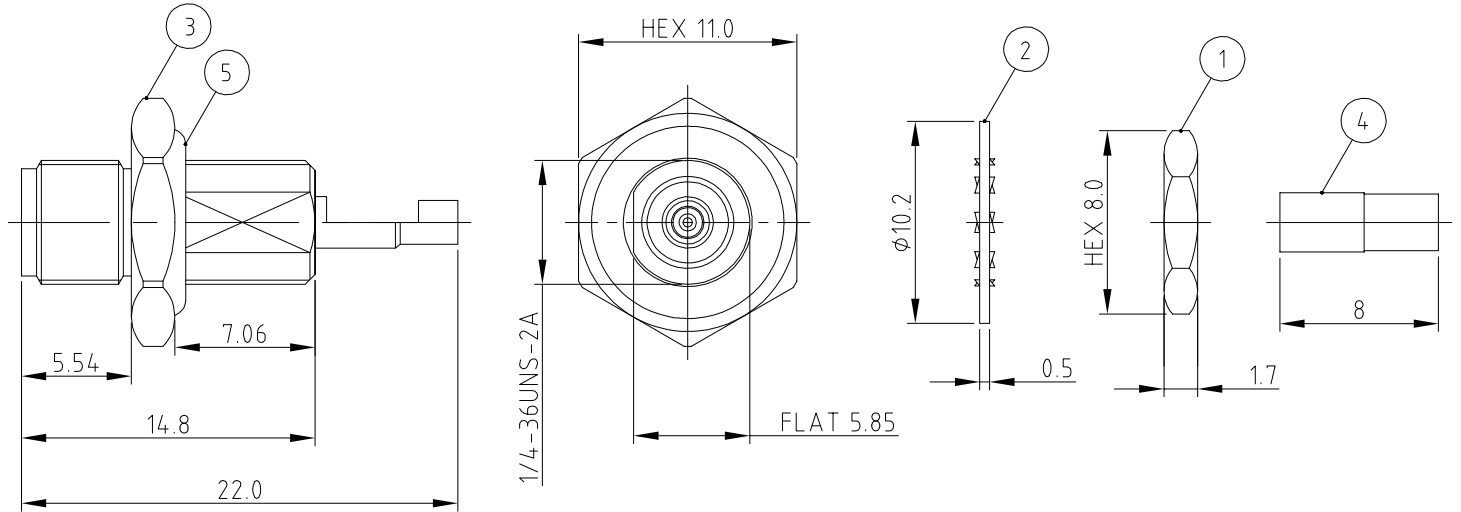
RFCT-SMA003-F78: Front Mount SMA Straight Bulkhead Jack with O-ring rated to IP67/68, for 0.81~RG178 Cable, 3GHz

Material and Plating:

- 1. Nut: Brass with Gold Plating
- 2. Washer: Brass with Gold Plating
- 3. Gasket: Silicone, Red
- Body: Brass with Gold Plating
- Insulator: Teflon
- Pin: Phosphor Bronze with Gold Plating
- Barrel: Brass with Gold Plating
- 4. Ferrule: Brass with Gold Plating
- 5. O-ring: Silicone Red

Environmental:

- A. Tested to:
 - i. IP6x - Dust tight - no particle ingress.
 - ii. IPx7 Waterproof for 30 minutes up to 1 meter underwater.
 - iii. IPx8 Waterproof for 48 hours at 1 meter underwater.
 - iv. IPx8 Waterproof for 12 hours at 5 meters underwater.
 - v. Pressure test - 1 bar for 10 seconds.



RECOMMENDED SMA MOUNTING HOLE
 MAX. PANEL THICKNESS: 4.16MM
 TOLERANCE: ±0.1

REV. DATE & DRN	10 25/08/15 - R/JH RELEASE
11 20/10/15 - NYW	AMEND PRODUCT DESCRIPTION.
12 23/10/15 - NYW	ADD IP67/68 RATING INFO.
13 17/03/17 - NYW	DRAWING IS PRELIMINARY.
14 20/03/17 - NYW	AMEND PIN MATERIAL.
15 29/07/19 - NYW	ADD MAX. PANEL THICKNESS.
16 30/11/20 - NYW	DRAWING MODIFICATION.
17 02/08/21 - NYW	ADD WORKING FREQUENCY.

Scale: NTS	THIRD ANGLE	Unstated .X .XX .XXX ANGLES	Tolerances: N/A N/A N/A N/A
Drawn: RJH		Title SMA BULKHEAD JACK	
App'd: XXX		Date: 2 AUG. '21	Revision: 1.7
		Unit: mm	

IP67/68 Rated Cables

www.gradconn.com

THIS DRAWING IS CONFIDENTIAL AND MUST NOT BE COPIED OR DISCLOSED WITHOUT WRITTEN CONSENT

Type: RFCT-SMA003-F78
RFCT-SMA003-F78
Drawing Number:
Sheet 1 of 1
Drawing © E and O E