

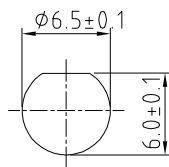
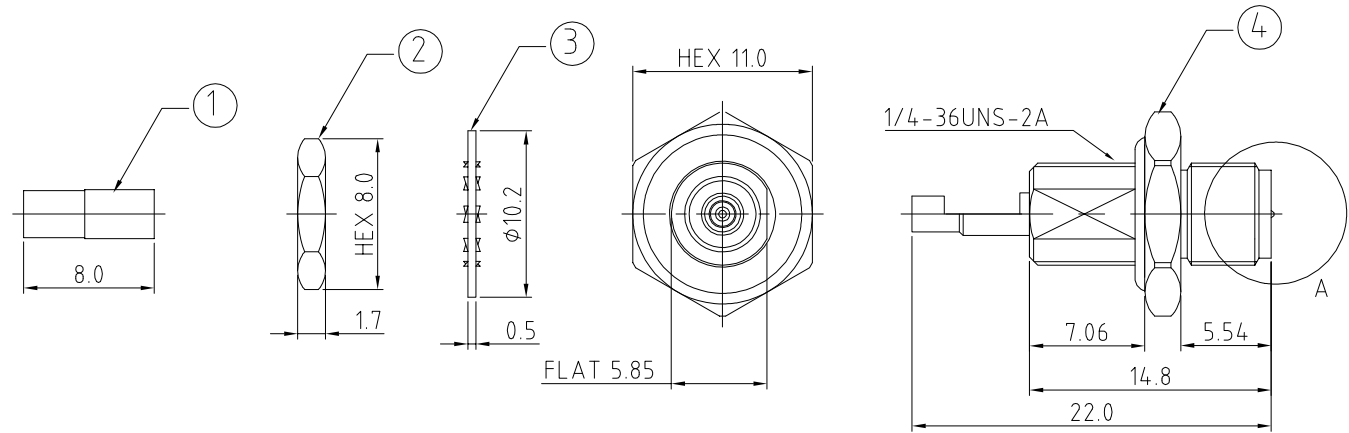
RFCT-SMA013-F78: FRONT MOUNT RP SMA STRAIGHT BULKHEAD JACK WITH O-RING RATED TO IP67/68, SOLDER FOR $\phi 0.81$ - RG178 CABLE, 3GHz

Material and plating:

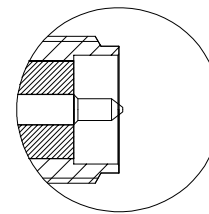
- 1. Ferrule: Brass, gold plated.
- 2. Nut: Brass, gold plated.
- 3. Washer: Brass, gold plated.
- 4. Barrel: Brass, gold plated.
- Gasket: Silicone, color: red.
- Pin: Brass, nickel plated.
- Insulator: Teflon.
- Body: Brass, gold plated.
- O-ring: Silicone, color: red.

Environmental:

- A. Rated to:
- i. IP6x - Dust tight - no particle ingress.
 - ii. IPx7 Waterproof for 30 minutes up to 1 meter underwater.
 - iii. IPx8 Waterproof for 48 hours at 1 meter underwater.



RECOMMENDED SMA MOUNTING HOLE
MAX. PANEL THICKNESS: 4.16MM



DETAIL A

REV. DATE & DRN
10 16/02/16 - NYW RELEASE
11 17/03/17 - NYW
DRAWING AMENDMENT.
12 29/07/19 - NYW
ADD MAX. PANEL THICKNESS
13 02/08/21 - NYW
ADD WORKING FREQUENCY.

Scale: NTS	THIRD ANGLE	Unstated X .XX .XXX ANGLES	Tolerances: N/A N/A N/A N/A
Drawn: NYW			
App'd: XXX	Title SMA BULKHEAD JACK		
Date: 2 AUG. '21	Revision: 1.3	Unit: mm	

IP67/68 Rated Cables

www.gradconn.com

Type: RFCT-SMA013-F78
RFCT-SMA013-F78
Drawing Number:
Sheet 1 of 1
Drawing © E and O E