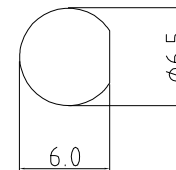
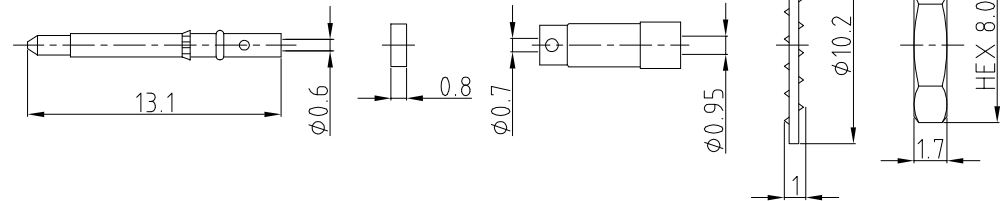
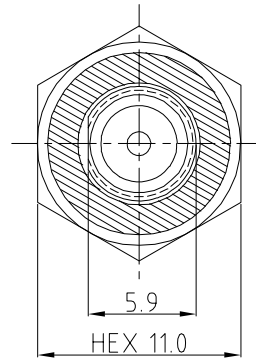
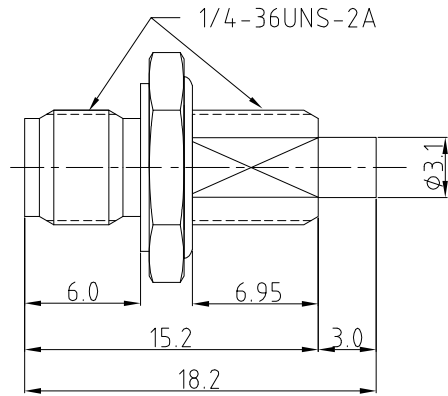



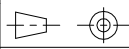
RFCT-SMA019-F08: RP FRONT MOUNT SMA STRAIGHT BULKHEAD JACK WITH O-RING CRIMP FOR 0.81MM CABLE

Material and Plating:
 Body: Brass, Gold Plated.
 Pin: Brass, Gold Plated.
 Insulator A: Teflon.
 Sleeve: Brass, Nickel Plated.
 Insulator B: Teflon.
 O-Ring: Silicone.
 Nut: Brass, Gold.
 Washer: Brass, Gold.



RECOMMENDED MOUNTING HOLE

REV. DATE & DRN
 TO 24/10/16 - NYW RELEASE

Scale: NTS	THIRD ANGLE	Unstated .X .XX .XXX ANGLES	Tolerances: N/A N/A N/A N/A	 www.gradconn.com	Type: RFCT-SMA019-F08
Drawn: NYW					RFCT-SMA019-F08
App'd: XXX	Title SMA BULKHEAD JACK				Drawing Number:
Date: 24 OCT. '16	Revision: 1.0	Unit: mm			Sheet 1 of 1
© THIS DRAWING IS CONFIDENTIAL AND MUST NOT BE COPIED OR DISCLOSED WITHOUT WRITTEN CONSENT					Drawing © E and O E