

RFCT-SMA061-F78: SMA STRAIGHT BULKHEAD JACK WITH O-RING RATED TO IP68/69K, FOR 0.81/1.13/1.32/1.37/RG178 CABLES, WITH STAINLESS STEEL BODY, 3GHz

Material and Plating:

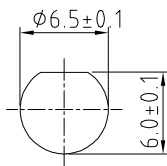
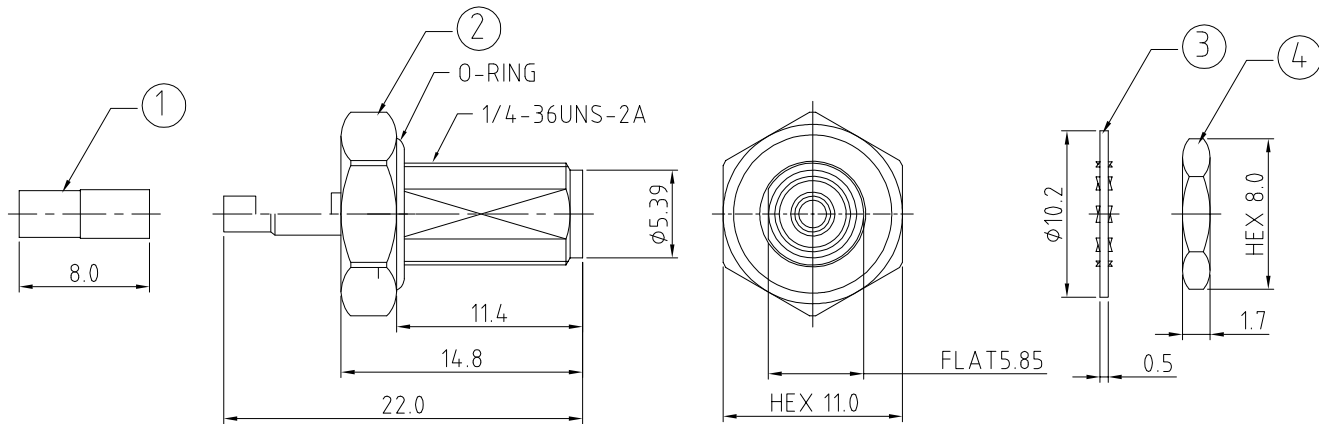
1. Ferrule: Brass, Gold Plated.
2. Barrel: Brass, Gold Plated.
Gasket: Silicon, Color: Red.
Pin: Phosphor Bronze, Gold Plated.
Insulator: Teflon.
Body: SUS303, Passivation.
3. Washer: SUS304.
4. Nut: SUS303, Passivation.

Environmental:

- A. Tested to:
- i. IP6x - Dust tight - no particle ingress.
 - ii. IPx8 Waterproof for 48 hours at 1 meter underwater.
 - iii. IPx9K Water spray, 14-16L per minute, at 8,000 ~ 10,000 kPa, at 100-150mm distance for 30 seconds.

Notes:

1. Please use the recommended torque forces for stainless connectors. This is published on Gradconn.com resources page.



RECOMMENDED SMA MOUNTING HOLE
MAX. PANEL THICKNESS: 2.2MM

HOW TO ORDER
RFCT-SMA061-F78 - X

O-RING MATERIAL OPTIONS:
BLANK = SILICON, COLOR: RED (STANDARD)
1 = EPDM, COLOR: BLACK

10	06/09/19 - NYW RELEASE
11	11/06/20 - NYW ADD O-RING OPTIONS.
12	23/11/20 - NYW ADD IPX8 TESTING INFO.
13	02/08/21 - NYW ADD O-RING FREQUENCY.
14	30/07/22 - NYW ADD NOTE 1.

Scale: NTS	THIRD ANGLE	Unstated X .XX .XXX ANGLES	Tolerances: N/A N/A N/A N/A
Drawn: NYW			
App'd: XXX	Title: SMA BULKHEAD JACK		
Date: 21 DEC '22	Revision: 1.4	Unit: mm	



Type: RFCT-SMA061-F78
RFCT-SMA061-F78
Drawing Number:
Sheet 1 of 1
Drawing © E and O E