

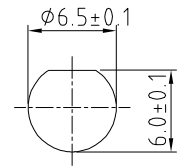
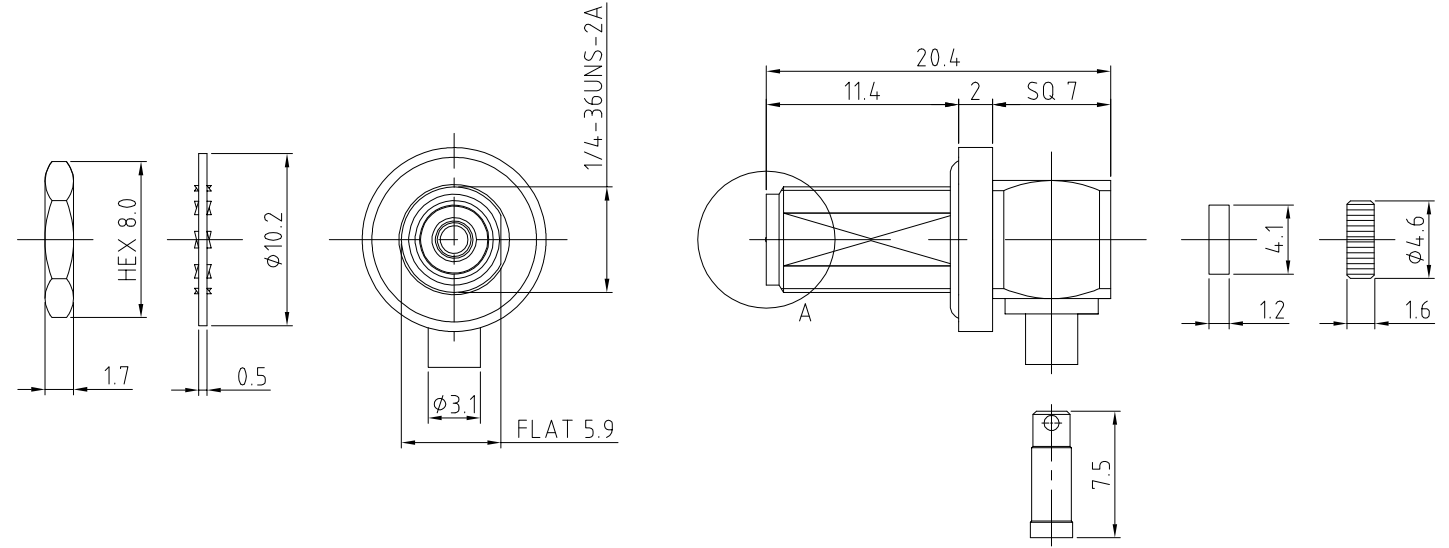
RFCT-SMA077-F78: RP SMA RIGHT ANGLE BULKHEAD JACK WITH O-RING RATED TO IP67/68, FOR RG178 CABLE, 6GHz

Material and plating:

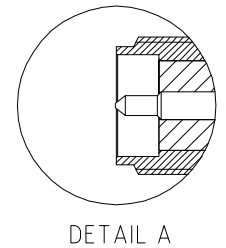
- 1. Nut: Brass, gold plated.
- 2. Washer: Brass, gold plated.
- 3. Body A: Brass, gold plated.
Body B: Brass, gold plated.
Gasket A: Silicone, color: red.
Gasket B: Silicone, color: red.
Center Contact: Brass, gold plated.
Insulator A: Teflon.
Insulator B: Teflon.
- 4. Sleeve: Brass, nickel plated.
- 5. Cap: Brass, gold plated.

Environmental:

- A. Rated to:
 - i. IP6x - Dust tight - no particle ingress.
 - ii. IPx7 Waterproof for 30 minutes up to 1 meter underwater.
 - iii. IPx8 Waterproof for 48 hours at 1 meter underwater.



RECOMMENDED SMA MOUNTING HOLE
MAX. PANEL THICKNESS: 2.2MM



REV. DATE & DRN
10 17/03/20 - NYW RELEASE
11 02/08/21 - NYW
ADD WORKING FREQUENCY.

Scale: NTS	THIRD ANGLE	Unstated X .XX .XXX ANGLES	Tolerances: N/A N/A N/A N/A
Drawn: NYW			
App'd: XXX	Title SMA BULKHEAD JACK		
Date: 2 AUG. '21	Revision: 1.1	Unit: mm	

IP67/68 Rated Cables

www.gradconn.com

Type: RFCT-SMA077-F78
RFCT-SMA077-F78
Drawing Number:
Sheet 1 of 1
Drawing © E and O E