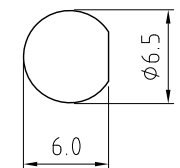
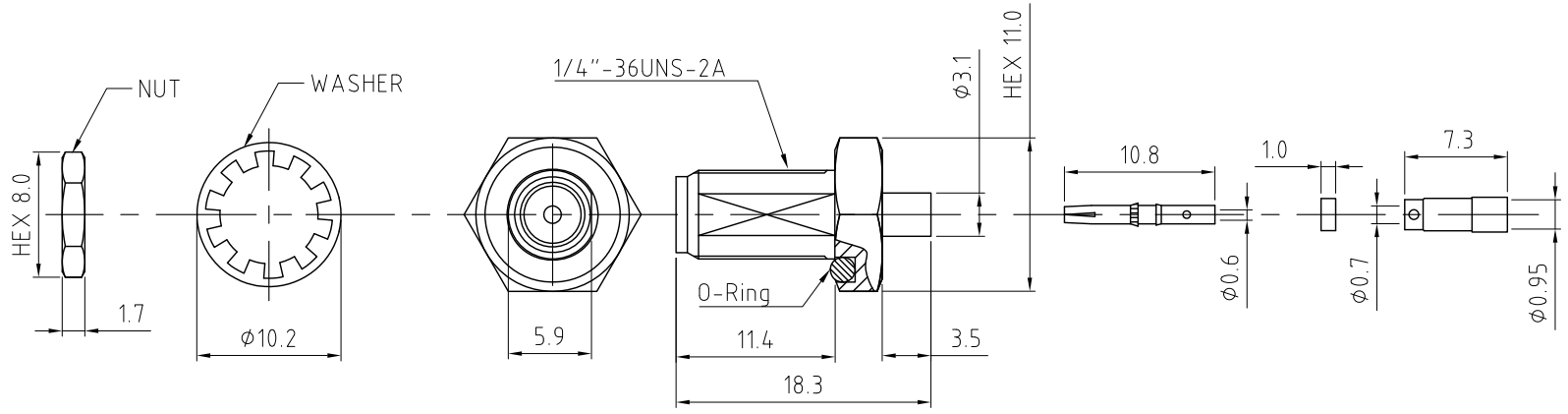


RFCT-SMA081-F08: SMA STRAIGHT BULKHEAD JACK WITH O-RING CRIMP FOR 0.81MM CABLE, IP67, 6GHz

Material and Plating:
 Body: Brass, Gold Plated.
 Pin: Be Cu, Gold Plated.
 Insulator A: Teflon.
 Sleeve: Brass, Zinc Plated.
 Nut: Brass, Gold.
 Washer: Brass, Gold.
 O-ring: Silicone.
 Insulator B: Teflon.

Environmental:
 A. Rated to:
 i. IP6x - Dust tight - no particle ingress.
 ii. IPx7 Waterproof for 30 minutes up to 1 meter underwater.



RECOMMENDED MOUNTING HOLE

REV. DATE & DRN
 1.0 10/03/18 - RTW RELEASE
 1.1 07/12/23 - CC
 Add IP67 rating description
 Change drawing frame

Scale: NTS	THIRD ANGLE	Unstated .X .XX .XXX	Tolerances: N/A N/A N/A
Drawn: CC		ANGLES	N/A
App'd: xxx	Title CABLE ASSEMBLY		
Date: 22 APR '24	Revision: 1.1	Unit: mm	



IP Rated RF Products



www.gradconn.com

THIS DRAWING IS CONFIDENTIAL AND MUST NOT BE COPIED OR DISCLOSED WITHOUT WRITTEN CONSENT

Type: RFCT-SMA081-F08
RFCT-SMA081-F08
Drawing Number:
Sheet 1 of 1
Drawing © E and O E