

RFCT-SMA086-F78: RP SMA STRAIGHT BULKHEAD JACK WITH O-RING ISOLATED GROUND RATED TO IP67, CRIMP FOR RG178 CABLE, 6GHz

Material and plating:

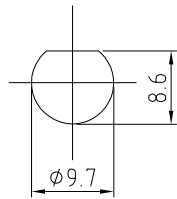
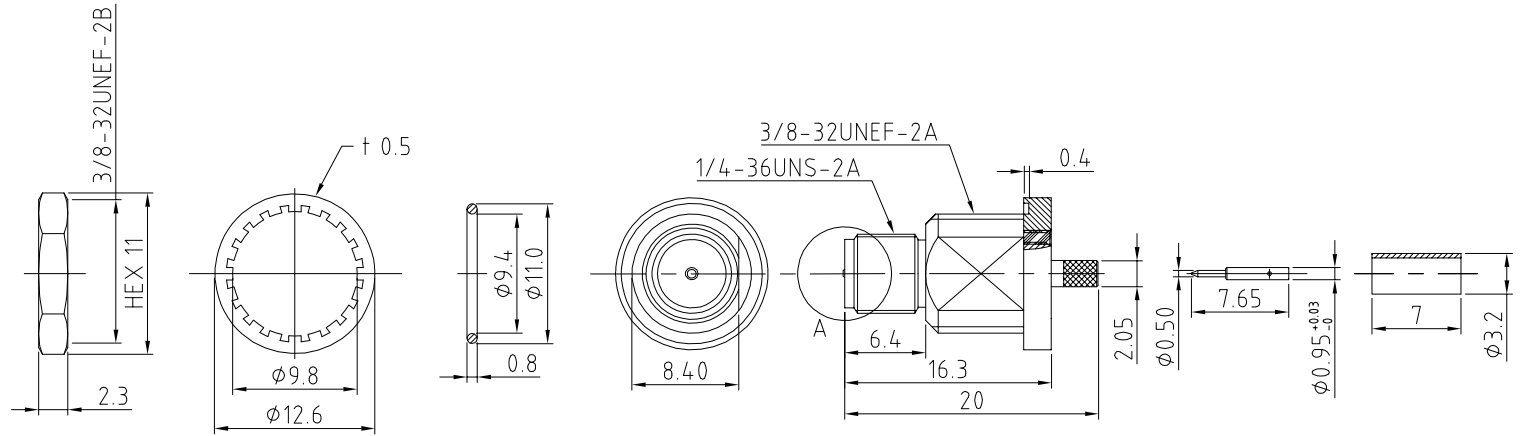
- Body A: Brass, nickel plated.
- Body B: Brass, nickel plated.
- Center Pin: Brass, gold plated.
- Insulator A: Teflon.
- O-ring: Silicone, color: red.
- Pin: Phosphor bronze, gold plated.
- Insulator B: Teflon.
- Ferrule: Brass, nickel plated.
- Washer: Stainless steel, nickel plated.
- Nut: Brass, nickel plated.

Environmental:

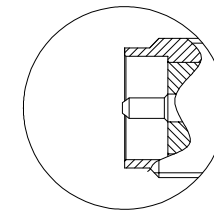
- A. Tested to:  
IP6x - Dust tight - no particle ingress.
- B. Rated to:  
IPx7 Waterproof for 30 minutes up to 1 meter underwater.

Note:

- 1. Care should be taken not to overtighten the mating connector. Overtightening risks compromising the IP rating of the connector.



RECOMMENDED SMA MOUNTING HOLE



DETAIL A

10	05/10/20 - NYW RELEASE
11	19/02/21 - NYW UPDATE ENVIRONMENTAL INFO
12	03/08/21 - NYW ADD WORKING FREQUENCY
13	17/05/22 - NYW ADD WORKING FREQUENCY
14	31/10/22 - NYW UPDATE WORKING FREQUENCY

Scale: NTS	THIRD ANGLE	Unstated Tolerances: X N/A .XX N/A .XXX N/A ANGLES N/A
Drawn: NYW		
App'd: XXX	Title SMA BULKHEAD JACK	
Date: 31 OCT. '22	Revision: 1.4	Unit: mm

IP67 Rated Cables

www.gradconn.com

Type: RFCT-SMA086-F78
RFCT-SMA086-F78
Drawing Number:
Sheet 1 of 1
Drawing © E and O E