

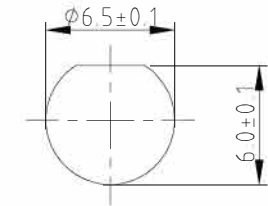
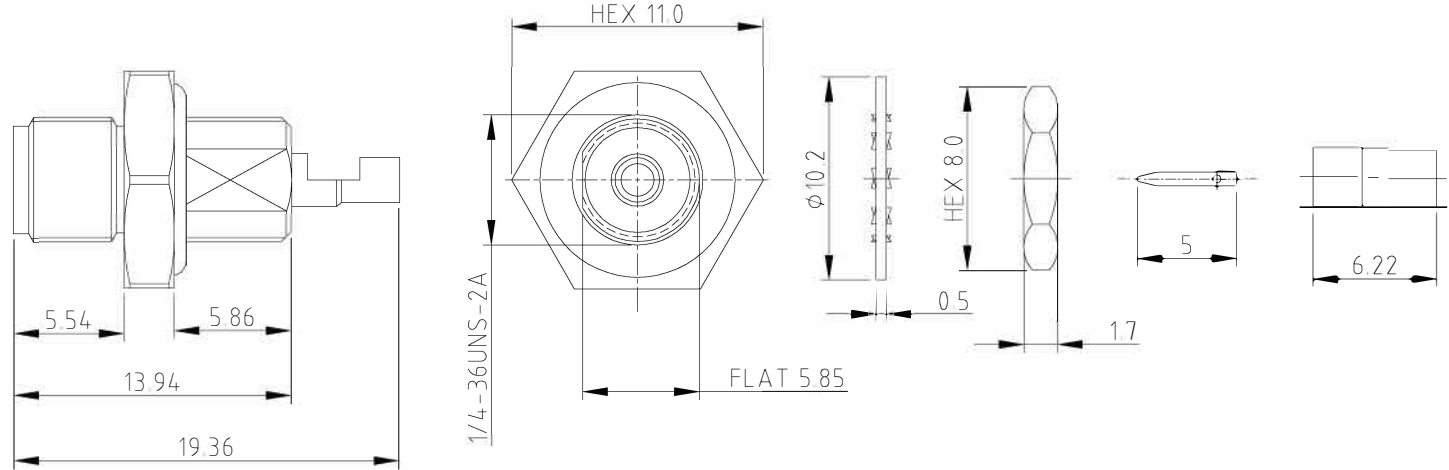
RFCT-SMA087-F78: Front Mount SMA Straight Bulkhead Jack with O-ring rated to IP67/68, for 1.13/1.32/1.37/RG178 Cable, 6GHz

Material and Plating:

1. Nut: Brass with Gold Plating
2. Washer: Brass with Gold Plating
3. Gasket: Silicone, Red  
Body: Brass with Gold Plating  
Insulator: Teflon  
Pin: Phosphor Bronze with Gold Plating  
Barrel: Brass with Gold Plating
4. Ferrule: Brass with Gold Plating
5. O-ring: Silicone, Red

Environmental:

- A. Rated to:
- i. IP6x - Dust tight - no particle ingress.
  - ii. IPx7 Waterproof for 30 minutes up to 1 meter underwater.
  - iii. IPx8 Waterproof for 48 hours at 1 meter underwater.



RECOMMENDED SMA MOUNTING HOLE  
MAX. PANEL THICKNESS: 4.16MM  
TOLERANCE: ±0.1

REV. DATE & DRN  
TO 30/11/20 - NYW RELEASE

Scale: NTS	THIRD ANGLE	Unstated X XX XXX ANGLES	Tolerances: N/A N/A N/A N/A
Drawn: NYW			
App'd: XXX	Title: SMA BULKHEAD JACK		
Date: 30 NOV. '20	Revision: 1.0	Unit: mm	



Type: RFCT-SMA087-F78
RFCT-SMA087-F78
Drawing Number:
Sheet 1 of 1
Drawing © E and O E