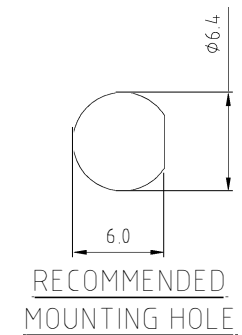
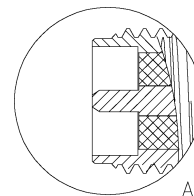
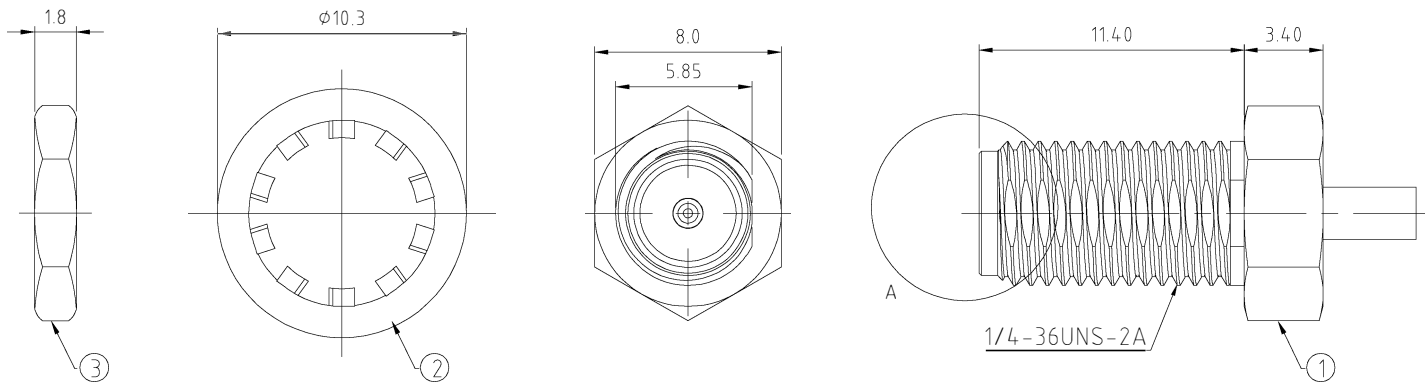


RFCT-SMA089-F13: RP SMA Straight Bulkhead Jack for 1.13 Cable, 6GHz

Material and plating:

1. Pin: Brass with Gold Plating  
Body: Brass with Gold Plating  
Insulator: PTFE  
Center Pin: Brass with Gold Plating
2. Washer: Brass with Gold Plating
3. Nut: Brass with Gold Plating



REV. DATE & DRN  
1.0 10/05/21 - NYW RELEASE

Scale: NTS	THIRD ANGLE	Unstated X XX XXX ANGLES	Tolerances: ±0.3 ±0.2 N/A ±1°	Material SEE NOTE
Drawn: NYW				
App'd: XXX	Title SMA JACK			NOT TO SCALE
Date: 10 MAY '21	Revision: 1.0			Unit: mm

**GradConn**  
www.gradconn.com

Type: RFCT-SMA089-F13
RFCT-SMA089-F13
Drawing Number:
Sheet 1 of 1
Drawing © E and O E

THIS DRAWING IS CONFIDENTIAL AND MUST NOT BE COPIED OR DISCLOSED WITHOUT WRITTEN CONSENT