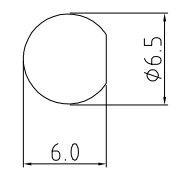
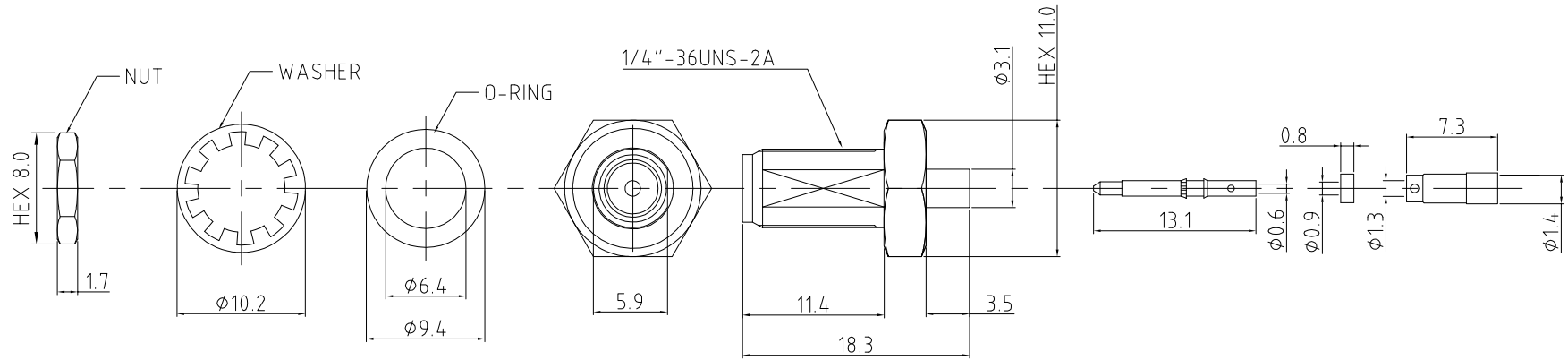


RFCT-SMA092-F37: RP SMA STRAIGHT BULKHEAD JACK WITH O-RING CRIMP FOR 1.37MM CABLE, 8GHz

Material and Plating:  
 Body: Brass, Gold Plated.  
 Pin: Brass, Gold Plated.  
 Insulator A: Teflon.  
 Sleeve: Brass, Nickel Plated.  
 Nut: Brass, Gold.  
 Washer: Brass, Gold.  
 O-ring: Silicone.  
 Insulator B: Teflon.



RECOMMENDED MOUNTING HOLE

REV. DATE & DRN  
 10 25/05/21 - NYW RELEASE

Scale: NTS	THIRD ANGLE	Unstated X .XX .XXX ANGLES	Tolerances: N/A N/A N/A N/A
Drawn: NYW			
App'd: XXX	Title SMA BULKHEAD JACK		
Date: 25 MAY '21	Revision: 1.0	Unit: mm	



Type: RFCT-SMA092-F37
RFCT-SMA092-F37
Drawing Number:
Sheet 1 of 1
Drawing © E and O E

THIS DRAWING IS CONFIDENTIAL AND MUST NOT BE COPIED OR DISCLOSED WITHOUT WRITTEN CONSENT