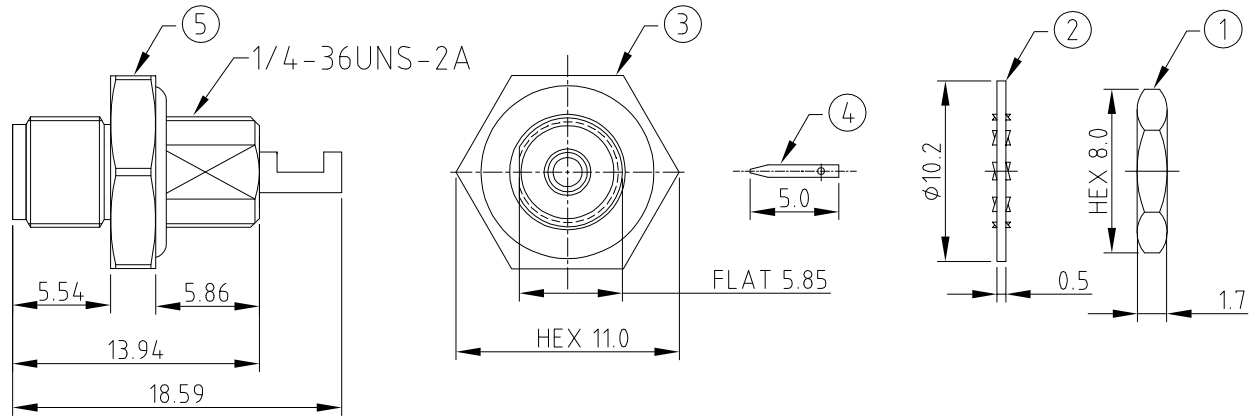


RFCT-SMA095-F78: Front Mount SMA Straight Bulkhead Jack with O-ring rated to IP68/69K, for 0.81~RG178 Cable, With Stainless Body, 6GHz

Material and Plating:

1. Nut: SUS303, Passivated
2. Washer: SUS304
3. Gasket: Silicone, Red
- Body: SUS303, Pssivated
- Insulator: Teflon
- Pin: Phosphor Bronze with Gold Plating
- Barrel: Brass with Gold Plating
4. Pin: Phosphor Bronze with Gold Plating
5. O-ring: Silicone Red, or EPDM Black.



Environmental:

A. Tested to:

- i. IP6x - Dust tight - no particle ingress.
- ii. IPx8 Waterproof for 48 hours at 1 meter underwater.
- iii. IPx9K Water spray, 14-16L per minute, at 8,000 ~ 10,000 kPa, at 100-150mm distance for 30 seconds.

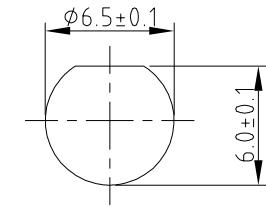
Notes:

1. Please use the recommended torque forces for stainless connectors. This is published on Gradconn.com resources page.

HOW TO ORDER

RFCT-SMA095-F78 - X

O-RING MATERIAL OPTIONS:  
 BLANK = SILICONE, COLOR: RED (STANDARD)  
 1 = EPDM, COLOR: BLACK



RECOMMENDED SMA MOUNTING HOLE  
 MAX. PANEL THICKNESS: 4.16MM  
 TOLERANCE:  $\pm 0.1$

REV. DATE & DRN  
 10 03/12/21 - NYW RELEASE  
 11 10/07/22 - NYW REMOVE PRELIMINARY MARKING.  
 12 20/12/22 - NYW ADD NOTE 1.

Scale: NTS	THIRD ANGLE	Unstated .X .XX .XXX ANGLES	Tolerances: N/A N/A N/A N/A
Drawn: NYW			
App'd: XXX	Title SMA BULKHEAD JACK		
Date: 21 DEC. '22	Revision: 1.2	Unit: mm	

IP67/68 Rated Cables

www.gradconn.com

Type: RFCT-SMA095-F78
RFCT-SMA095-F78
Drawing Number:
Sheet 1 of 1
Drawing © E and O E