

RFCT-SMA101-F78: RP SMA S/T BULKHEAD JACK WITH O-RING RATED TO IP67/68, FOR 0.81/1.13/1.32/1.37/RG178 CABLES, WITH STAINLESS STEEL BODY, 3GHz

PRELIMINARY DRAWING

Material and Plating:

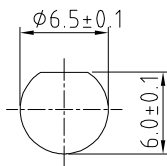
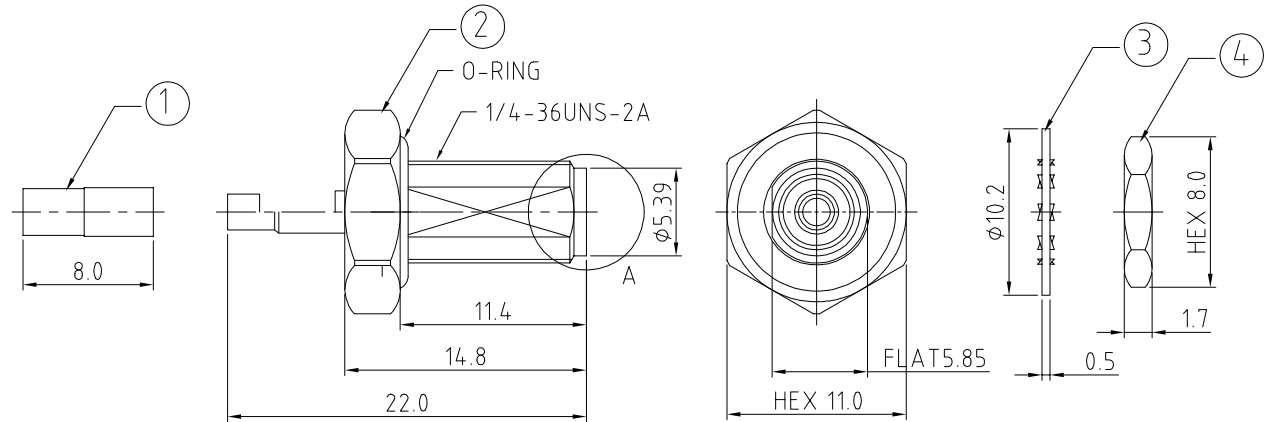
1. Ferrule: Brass, Gold Plated.
2. Barrel: Brass, Gold Plated.  
Gasket: Silicone, Color: Red.  
Pin: Brass, Gold Plated.  
Insulator: Teflon.  
Body: SUS303, Passivation.
3. Washer: SUS304.
4. Nut: SUS303, Passivation.

Environmental:

- A. Rated to:
- i. IP6X - Dust tight - No particle ingress.
  - ii. IPX7 Waterproof for 30 minutes up to 1 meter underwater.
  - iii. IPX8 Waterproof for 48 hours at 1 meter underwater.

Notes:

1. Please use the recommended torque forces for stainless connectors. This is published on Gradconn.com resources page.



RECOMMENDED SMA MOUNTING HOLE  
MAX. PANEL THICKNESS: 2.2MM

HOW TO ORDER  
RFCT-SMA101-F78 - X

O-RING MATERIAL OPTIONS:  
BLANK = SILICON, COLOR: RED (STANDARD)  
1 = EPDM, COLOR: BLACK

REV. DATE & DRN  
10 21/03/22 - NYW RELEASE  
11 21/02/22 - NYW  
ADD NOTE 1  
12 23/02/23 - NYW  
AMEND IP RATING

Scale: NTS	THIRD ANGLE	Unstated X .XX .XXX ANGLES	Tolerances: N/A N/A N/A N/A
Drawn: NYW			
App'd: XXX	Title SMA BULKHEAD JACK		
Date: 23 FEB. '23	Revision: 1.2	Unit: mm	

IP67/68 Rated Cables

www.gradconn.com

Type: RFCT-SMA101-F78
RFCT-SMA101-F78
Drawing Number:
Sheet 1 of 1
Drawing © E and O E