

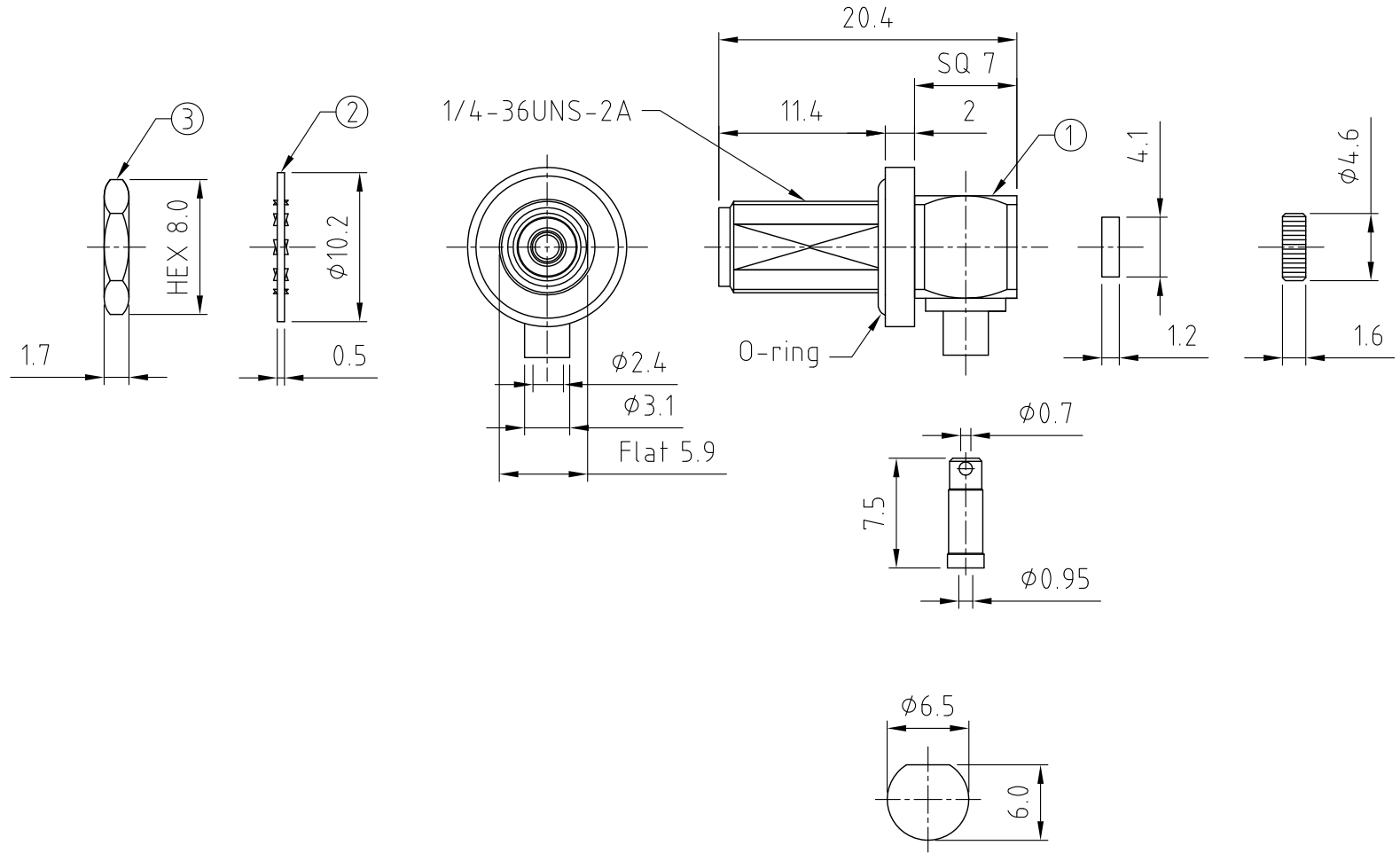
RFCT-SMA119-F32: SMA RIGHT ANGLE BULKHEAD JACK WITH O-RING FOR 0.81MM CABLE, RATED IP67, 8GHZ

Material and Plating:

- 1. Body A&B: Brass, Gold Plated.  
Insulator A&B: Teflon.  
Center Pin: Be Cu, Gold Plated.  
Gasket: Silicone Rubber, Red.  
Cap: Brass, Gold Plated.
- Sleeve: Brass, Nickel Plated.
- O-ring: Silicone Rubber, Red
- 2. Washer: Brass, Gold Plated.
- 3. Nut: Brass, Gold Plated.

Environmental:

- A. Rated to:
  - i. IP6x - Dust tight - no particle ingress.
  - ii. IPx7 Waterproof for 30 minutes up to 1 meter underwater.



RECOMMENDED MOUNTING HOLE

REV. DATE & DRN  
1.0 20/03/24 - CC RELEASE

Scale: NTS	THIRD ANGLE	Unstated .X .XX .XXX ANGLES	Tolerances: N/A N/A N/A N/A
Drawn: CC			
App'd: XXX	Title SMA BULKHEAD JACK		
Date: 20 MAR '24	Revision: 1.0	Unit: mm	

**NAUTILUS**  
IP Rated RF Products

**GRADCONN**  
www.gradconn.com

Type: RFCT-SMA119-F32
RFCT-SMA119-F32
Drawing Number:
Sheet 1 of 1
Drawing © E and O E