

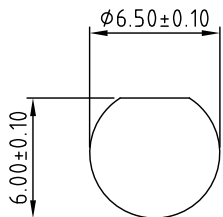
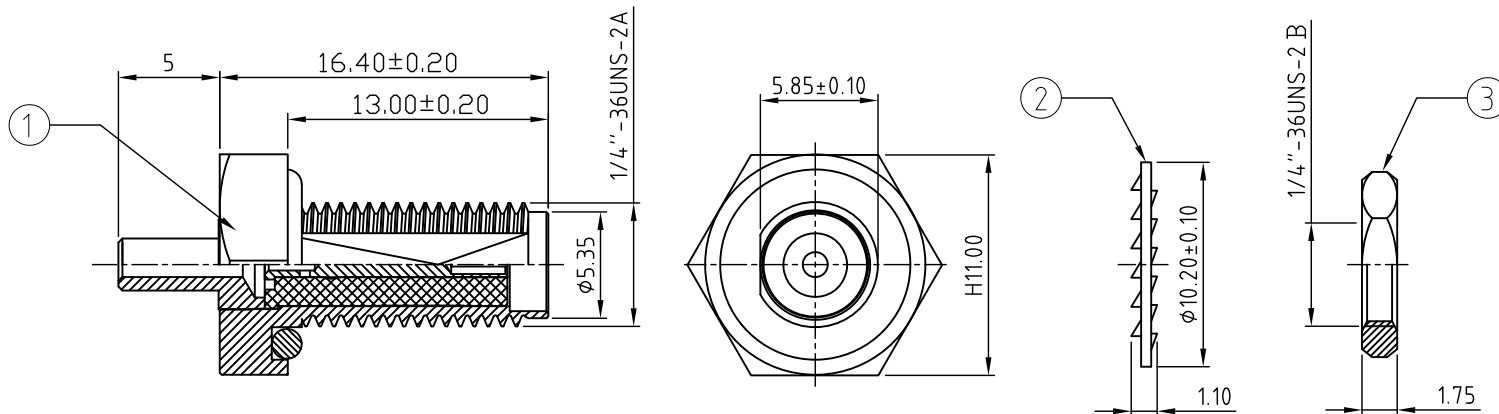
RFCT-SMA135-F13: SMA EXTENDED THREAD STRAIGHT BULKHEAD JACK WITH O-RING, RATED TO IP67, FOR 1.13MM CABLE, 6GHZ

Material and Plating:

- 1. Body: Brass, Gold Plated.
Barrel: Brass, Gold Plated.
Pin: Brass, Gold Plated.
Insulator: PTFE, White.
O-ring: Silicone, Black
- 2. Washer: Brass, Gold plated
- 3. Nut: Brass, Gold plated

Environmental:

- A. Tested to:
 - i. IP6X - Dust tight - no particle ingress.
 - ii. IPX7 Waterproof for 30 minutes up to 1 meter underwater.



RECOMMENDED MOUNTING HOLE
MAX. PANEL THICKNESS: 2.2MM

REV.	DATE & DRN
1.0	07/12/23 - CC RELEASE
1.1	07/12/23 - CC
1.2	21/05/24 - CC

Scale: NTS	THIRD ANGLE	Unstated .X .XX .XXX	Tolerances: ±0.2 ±0.1 ±0.05
Drawn: CC		ANGLES	±1°
App'd: XXX	Title SMA BULKHEAD JACK		
Date: 21 MAY. '24	Revision: 1.2	Unit: mm	

NAUTILUS
IP Rated RF Products

GRADCONN
www.gradconn.com

Type: RFCT-SMA135-F13
RFCT-SMA135-F13
Drawing Number:
Sheet 1 of 1
Drawing © E and O E