



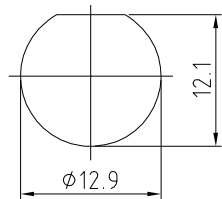
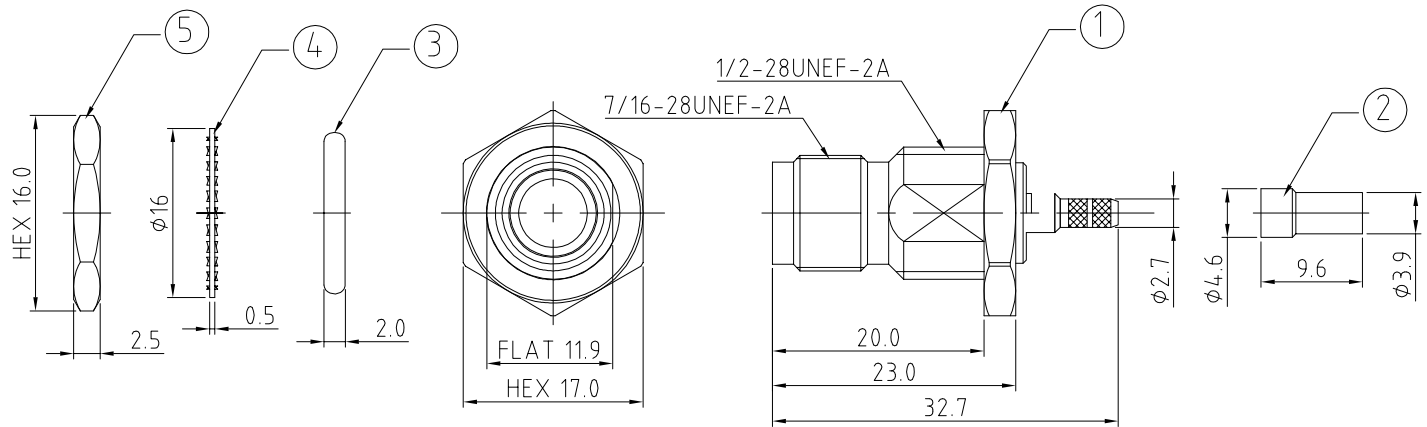
RFCT-TNC002-F74: TNC STRAIGHT BULKHEAD JACK WITH O-RING RATED TO IP67/68, FOR RG174 CABLE, 3GHz

Material and Plating:

1. Barrel: Brass, Nickel Plated.  
Gasket: Silicon.  
Pin: Phosphor Bronze, Gold Plated.  
Insulator A: Teflon.  
Insulator B: Teflon.  
Body: Brass, Nickel Plated.
2. Ferrule: Brass, Nickel Plated.
3. O-ring: Silicon.
4. Washer: Stainless Steel, Nickel Plated.
5. Nut: Brass, Nickel Plated.

Environmental:

- A. Tested to:
- i. IP6x - Dust tight - no particle ingress.
  - ii. IPx7 Waterproof for 30 minutes up to 1 meter underwater.
  - iii. IPx8 Waterproof for 48 hours at 1 meter underwater.
  - iv. IPx8 Waterproof for 12 hours at 5 meters underwater.
  - v. Pressure test - 1 bar for 10 seconds.



RECOMMENDED MOUNTING HOLE  
MAX. PANEL THICKNESS: 4MM  
TOLERANCE: ±0.1

REV. DATE & DRN  
10 09/06/15 - NYW RELEASE  
11 29/10/15 - NYW RELEASE  
ADD IP67/68 RATING INFO  
12 17/03/17 - NYW  
ADD WORKING FREQUENCY  
13 03/08/21 - NYW

Scale: NTS	THIRD ANGLE	Unstated X XX XXX ANGLES	Tolerances: ±0.2 ±0.2 ±0.2 ±5
Drawn: NYW			
App'd: XXX	Title: TNC BULKHEAD JACK		
Date: 3 AUG. '21	Revision: 1.3	Unit: mm	

IP67/68 Rated Cables

www.gradconn.com

Type: RFCT-TNC002-F74
RFCT-TNC002-F74
Drawing Number:
Sheet 1 of 1
Drawing © E and O E