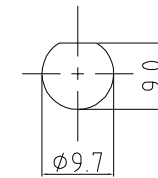
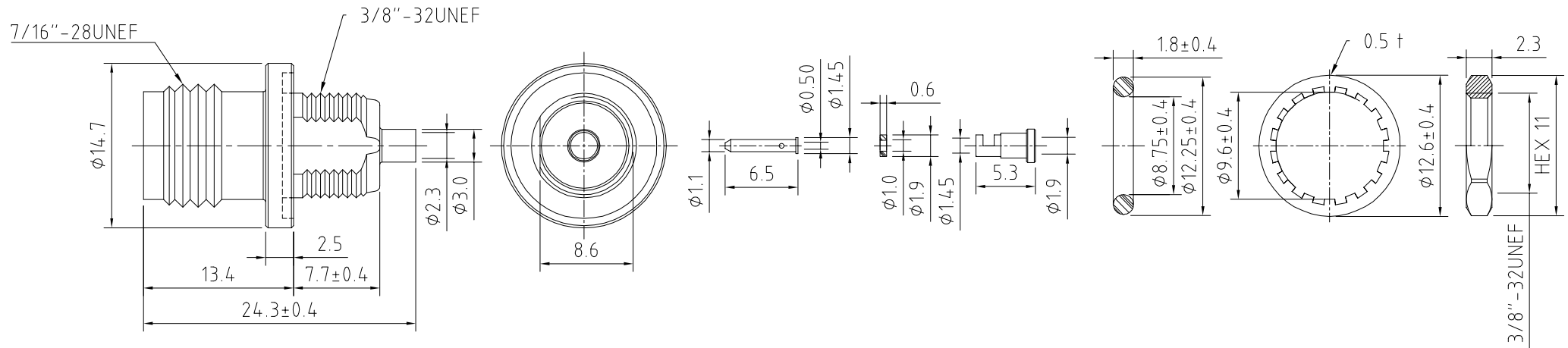



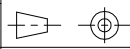
RFCT-TNC007-F78: FRONT MOUNT TNC STRAIGHT BULKHEAD JACK FOR RG178 CABLE

Material and Plating:
 Body A: Brass, Nickel Plated.
 Pin: Phosphor Bronze, Gold Plated.
 Insulator A: Teflon.
 Center Contact: Beryllium Copper, Gold Plated.
 Body B: Brass, Nickel.
 Insulator B: Teflon.
 Bullet Contact: Brass, Gold Plated.
 Gasket: Teflon.
 Ferrule: Brass, Nickel Plated.
 O-Ring: Silicone.
 Nut: Brass, Gold Plated.
 Washer: Steel, Gold Plated.



RECOMMENDED MOUNTING HOLE

REV. DATE & DRN
 TO 24/10/13 - NYW RELEASE

Scale: NTS	THIRD ANGLE	Unstated .X .XX .XXX	Tolerances: ±0.2 ±0.2 ±0.2 ANGLES ±0.3°	 www.gradconn.com	Type: RFCT-TNC007-F78
Drawn: NYW					RFCT-TNC007-F78
App'd: XXX	Title TNC BULKHEAD JACK				Drawing Number:
Date: 24 OCT. '13	Revision: 1.0	Unit: mm			Sheet 1 of 1
© THIS DRAWING IS CONFIDENTIAL AND MUST NOT BE COPIED OR DISCLOSED WITHOUT WRITTEN CONSENT					Drawing © E and O E