

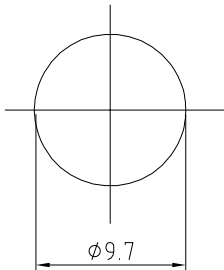
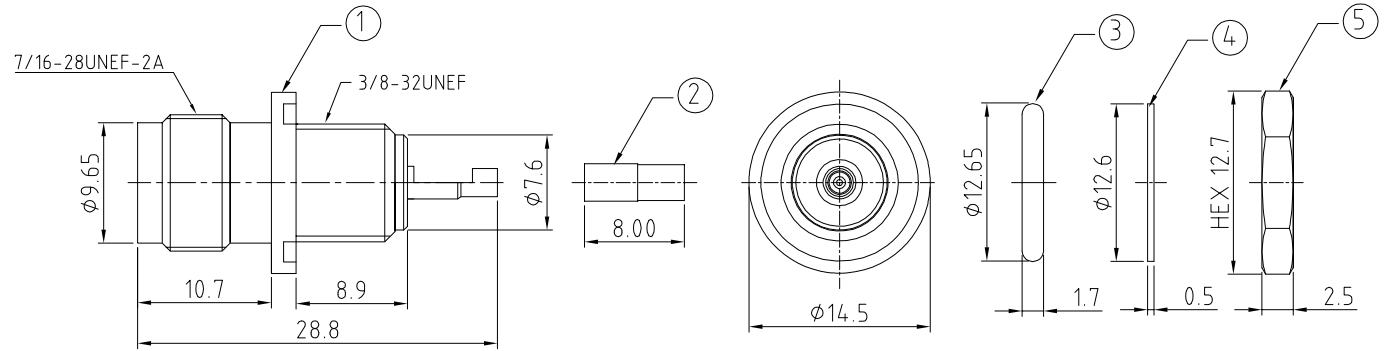
RFCT-TNC009-F78: FRONT MOUNT TNC STRAIGHT BULKHEAD JACK WITH O-RING RATED TO IP67/68, FOR $\phi 0.81\text{MM}$ ~ RG178 CABLE, 3GHz

Material and Plating:

1. Barrel: Brass, Nickel Plated.
Gasket: Silicon, Red.
Pin: Phosphor Bronze, Gold Plated.
Insulator A: Teflon.
Insulator B: Teflon.
Body: Brass, Nickel Plated.
2. Ferrule: Brass, Nickel Plated.
3. O-ring: Silicon, Red.
4. Washer: Phosphor Bronze, Nickel Plated.
5. Nut: Brass, Nickel Plated.

Environmental:

- A. Rated to:
- i. IP6x - Dust tight - no particle ingress.
 - ii. IPx7 Waterproof for 30 minutes up to 1 meter underwater.
 - iii. IPx8 Waterproof for 48 hours at 1 meter underwater.



RECOMMENDED MOUNTING HOLE
MAX. PANEL THICKNESS: 3.9MM
TOLERANCE: ± 0.1

REV. DATE & DRN
10 04/07/17 - NYW RELEASE
11 03/08/21 - NYW
- ADD WORKING FREQUENCY.

Scale: NTS	THIRD ANGLE	Unstated X .XX .XXX ANGLES	Tolerances: ± 0.2 ± 0.2 ± 0.2 ± 5
Drawn: NYW			
App'd: XXX	Title TNC BULKHEAD JACK		
Date: 3 AUG. '21	Revision: 1.1	Unit: mm	

IP67/68 Rated Cables

www.gradconn.com

Type: RFCT-TNC009-F78
RFCT-TNC009-F78
Drawing Number:
Sheet 1 of 1
Drawing © E and O E