



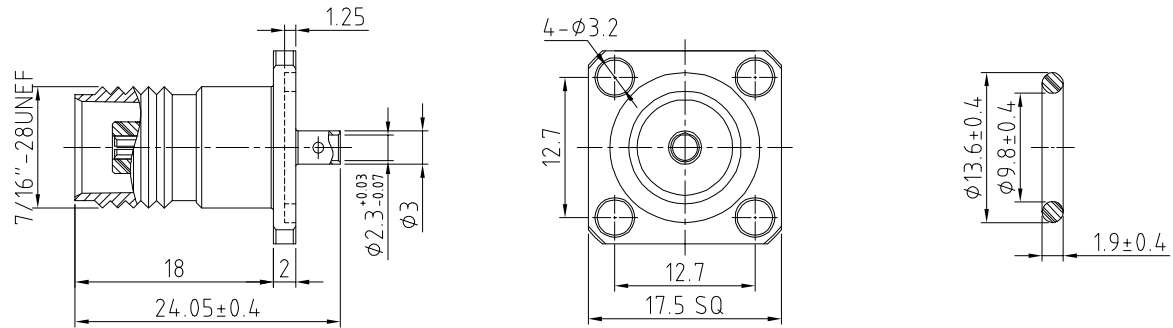
RFCT-TNC013-F85: TNC STRAIGHT 4 HOLES FLANGE MOUNT BULKHEAD JACK WITH O-RING RATED TO IP67/68, FOR .085 CABLE, 6GHz

Material and Plating:

- Body A: Brass, Nickel Plated.
- Insulator A: Teflon.
- Center Pin: Phosphor Bronze, Gold Plated.
- Insulator B: Teflon.
- Gasket: Silicon.
- Body B: Brass, Nickel Plated.
- O-ring A: Silicon.
- Center Contact: Beryllium Copper, Gold Plated.
- O-ring B: Silicon, R
- Bullet Contact: Brass, Gold Plated.

Environmental:

- A. Tested to:
 - i. IP6x - Dust tight - no particle ingress.
 - ii. IPx8 Waterproof for 30 minutes at 20 meters underwater.
- B. Rated to:
 - i. IPx7 Waterproof for 30 minutes up to 1 meter underwater.



REV. DATE & DRN
 10 10/06/19 - NYW RELEASE
 11 12/03/20 - CC
 ADD DIMENSION 1.25 ON THE PANEL.
 12 11/09/20 - NYW
 UPDATE ENVIRONMENTAL SPEC.
 13 03/08/21 - NYW
 ADD WORKING FREQUENCY.

Scale: NTS	THIRD ANGLE	Unstated X .XX .XXX ANGLES	Tolerances: ±0.1 ±0.1 ±0.1 ±5
Drawn: NYW			
App'd: XXX	Title: TNC BULKHEAD JACK		
Date: 3 AUG. '21	Revision: 1.3	Unit: mm	

IP67/68 Rated Cables

www.gradconn.com

Type: RFCT-TNC013-F85
RFCT-TNC013-F85
Drawing Number:
Sheet 1 of 1
Drawing © E and O E