

RFCT-TNC014-F85: TNC STRAIGHT 2 HOLES PANEL MOUNT BULKHEAD JACK WITH O-RING RATED TO IP67/68, FOR RG405/SS405/.085 CABLE

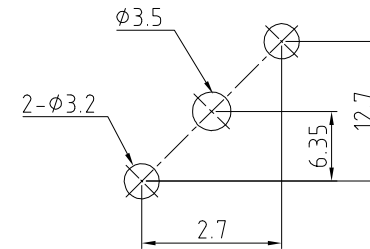
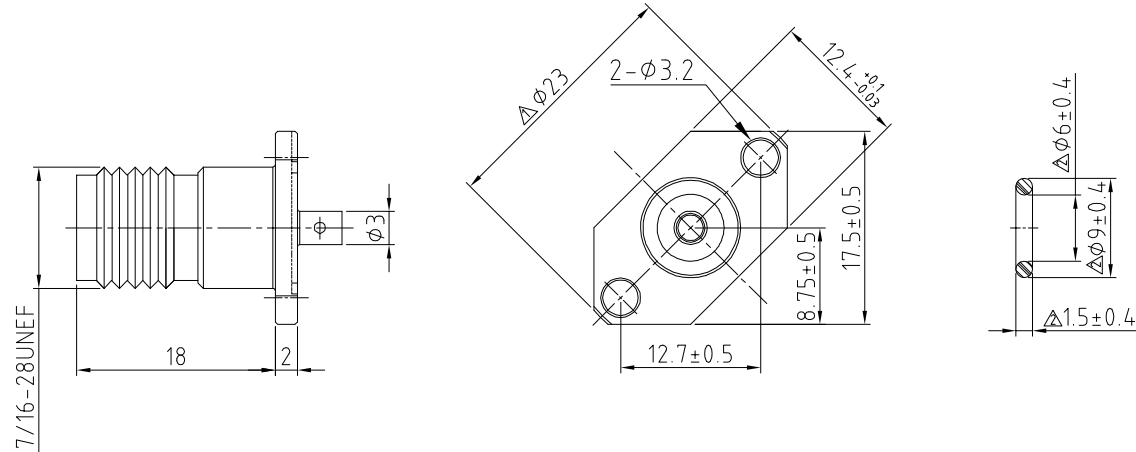
PRELIMINARY DRAWING

Material and Plating:

- Body A: Brass, Nickel Plated.
- Insulator A: Teflon.
- Center Pin: Phosphor Bronze, Gold Plated.
- Insulator B: Teflon.
- Gasket: Silicon.
- Body B: Brass, Nickel Plated.
- O-ring A: Silicon, Color: Black.
- Center Contact: Beryllium Copper, Gold Plated.
- O-ring B: Silicon, Color: Black.
- Bullet Contact: Brass, Gold Plated.

Environmental:

- A. Tested to:
 - i. IP6x - Dust tight - no particle ingress.
 - ii. IPx8 Waterproof for 30 minutes at 20 meters underwater.
- B. Rated to:
 - i. IPx7 Waterproof for 30 minutes up to 1 meter underwater.



Recommended PCB Layout

REV. DATE & DRN
10 18/09/19 - NYW RELEASE
11 04/10/19 - NYW
12 09/07/19 - NYW DESIGN
13 17/09/20 - NYW UPDATE ENVIRONMENTAL SPEC

Scale: NTS	THIRD ANGLE	Unstated X .XX .XXX ANGLES	Tolerances: ±0.2 ±0.2 ±0.2 ±3
Drawn: NYW			
App'd: XXX	Title TNC BULKHEAD JACK		
Date: 17 SEP. '20	Revision:13	Unit: mm	

IP67/68 Rated Cables

www.gradconn.com

Type: RFCT-TNC014-F85
RFCT-TNC014-F85
Drawing Number:
Sheet 1 of 1
Drawing © E and O E