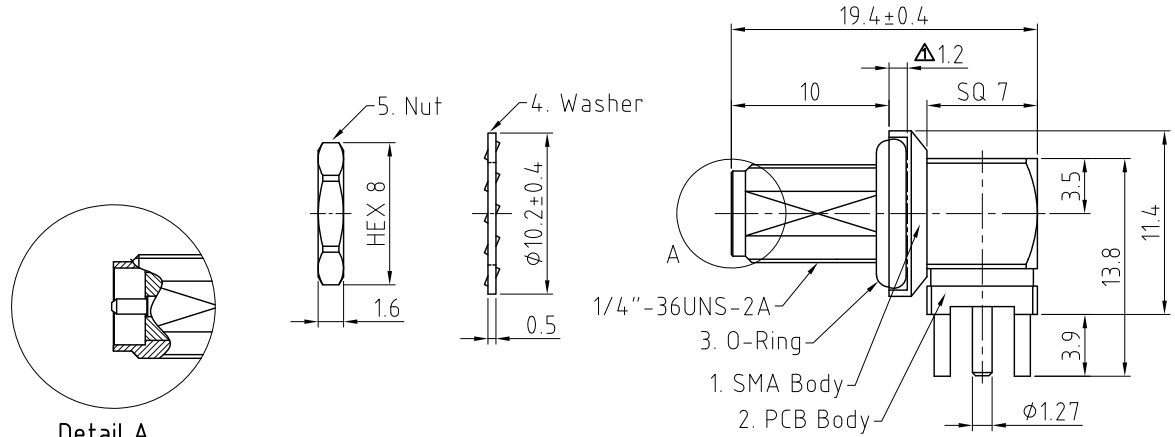


RFPC-SMA24-FN: Stainless Steel RP SMA Right Angle Bulkhead Jack With O-ring, PCB Connector, Rated to IP68/69K, 6GHz

Material and Plating:

- 1. SMA Body: SUS303, Passivated
- Insulator A: Teflon
- Insulator B: Teflon
- Insulator C: Teflon
- Washer: Brass, Nickel Plated
- Gasket A: Silicone
- Gasket B: Silicone
- Pin A: Brass, Gold Plated
- Pin B: Brass, Gold Plated
- 2. PCB Body: Brass, Gold Plated
- 3. O-Ring: See P/N Options
- 4. Lock Washer: SUS303, Passivated.
- 5. Nut: SUS303, Passivated

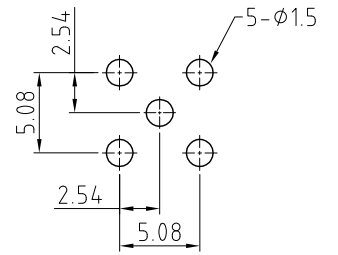


Environmental:

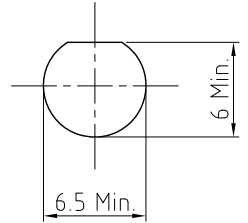
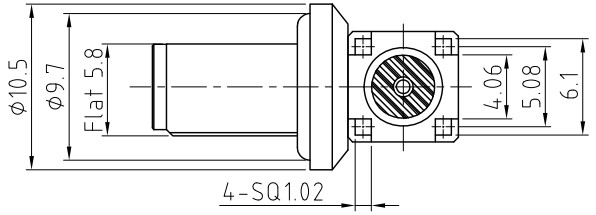
- A. Tested to:
 - i. IP6x - Dust tight - no particle ingress.
 - ii. IPx8 Waterproof for 48 hour at 1 meter underwater.
 - iii. IPx9K Water spray, 14-16L per minute, at 8,000 ~ 10,000 kPa, at 100-150mm distance for 30 seconds. underwater

Notes:

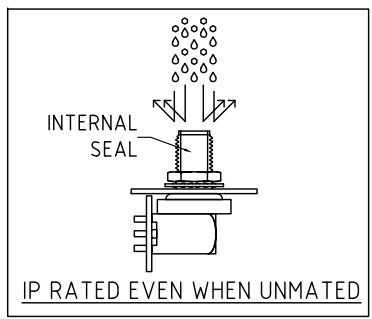
- 1. Working Frequency Range: DC-6GHz.
- 2. Operating Temperature : -65°C to +165°C.
- 3. Please use the recommended torque forces for stainless connectors. This is published on Gradconn.com resources page.
- 4. Impedance: 50 Ohm.



Recommended PCB Hole Layout



Recommended Mounting Hole
(Recommended Maximum Panel Thickness: 2.0mm)



HOW TO ORDER
RFPC - SMA24 - FN - X - X

WASHER AND NUT OPTIONS:
BLANK = SEPARATELY PACKED (STANDARD)
A = ALL ASSEMBLED WITH CONNECTOR

O-RING MATERIAL OPTIONS:
E = EPDM, COLOR: BLACK (STANDARD)
S = SILICONE, COLOR: RED

REV. DATE & DRN
10. 24/02/23 - NYW RELEASE
11. 09/08/23 - NYW
12. 06/09/23 - NYW
13. 08/12/23 - NYW
14. 25/01/24 - NYW
15. 31/03/24 - CC

Scale: NTS	THIRD ANGLE	Unstated Tolerances:
Drawn: CC		.X ±0.20
App'd: XXX	Title SMA PCB Connector	.XX ±0.20
Date: 31 MAR. '24	Revision: 1.5	.XXX ±0.20
	Unit: mm	ANGLES ±2°



IP Rated RF Products www.gradconn.com

THIS DRAWING IS CONFIDENTIAL AND MUST NOT BE COPIED OR DISCLOSED WITHOUT WRITTEN CONSENT

Type: RFPC-SMA24-FN
RFPC-SMA24-FN
Drawing Number:
Sheet 1 of 1
Drawing © E and O E